



TIBCO LogLogic[®] Log Management Intelligence

Hardware Installation

*Version 6.4.0
February 2022*



Contents

Contents	2
Overview and Installation	4
Unpack and Verify Parts in the Kit	5
Installing System in a Rack	6
Installing and Removing Tool-less Rails	6
Installing and Removing Tooled Rails	7
Installing the System in a Rack	8
Removing the System From the Rack	9
Engaging and Releasing the Slam Latch	10
Routing the Cables	11
Installation of the Cable Management Arm (CMA)	12
Identifying the Cable Management Arm Kit Contents	12
Installing and Removing the CMA Tray	13
Installing the CMA Attachment Brackets	14
Installing and Removing the CMA	15
Moving the CMA Away from the CMA Tray	16
Cabling the System by Using the CMA	17
Optional—Connecting the Keyboard, Mouse, and Monitor	18
Connecting and Securing the Power Cables	19
Connecting the Power Cables	19
Securing the Power Cables	20
Removing the Front Bezel	21
Powering up the Appliance	22
Logging in to the Appliance	24
Integrated Dell Remote Access Controller	25
Logging in to iDRAC	25

Configuring Local Users	26
Updating the Firmware	27
Updating the integrated Dell Remote Access Controller (iDRAC) Firmware	27
Updating the BIOS Firmware	28
Updating the BIOS Firmware on H5 Appliances	28
Updating the BIOS Firmware on H4 Appliances	29
External Hardware Descriptions	35
H5 Appliances	35
LogLogic LX Appliance Product Family	36
LogLogic ST Appliance Product Family	41
H4 Appliances	45
TIBCO LogLogic® LX R2 Appliance Product Family	46
TIBCO LogLogic® LX R1 Appliance Product Family	52
TIBCO LogLogic® ST R2 Appliance Product Family	58
TIBCO LogLogic® ST R1 Appliance Product Family	65
TIBCO Documentation and Support Services	72
Legal and Third-Party Notices	74

Overview and Installation

By using the TIBCO LogLogic® appliance-based solution, you can capture and manage log data from all types of sources in your enterprise. LogLogic® appliances install within minutes and begin collecting and aggregating data from connected log sources immediately.

This guide provides information about the appliances that are supported in this release.

i Note: This section applies only to the TIBCO LogLogic® Log Management Intelligence appliance.

Supported hardware appliances

Appliance Series	TIBCO LogLogic® LX Appliance Product Family	TIBCO LogLogic® ST Appliance Product Family
H5 appliances	<ul style="list-style-type: none"> TIBCO LogLogic® LX1035 Appliance TIBCO LogLogic® LX4035 Appliance 	<ul style="list-style-type: none"> TIBCO LogLogic® ST2035-SAN Appliance TIBCO LogLogic® ST4035 Appliance
H4R2 appliances	<ul style="list-style-type: none"> TIBCO LogLogic® LX1025R2 Appliance TIBCO LogLogic® LX4025R2 Appliance 	<ul style="list-style-type: none"> TIBCO LogLogic® ST2025-SANR2 Appliance TIBCO LogLogic® ST4025R2 Appliance
H4R1 appliances	<ul style="list-style-type: none"> TIBCO LogLogic® LX1025R1 Appliance TIBCO LogLogic® LX4025R1 Appliance 	<ul style="list-style-type: none"> TIBCO LogLogic® ST2025-SANR1 Appliance TIBCO LogLogic® ST4025R1 Appliance

To install your appliance, perform the steps provided in the subsequent sections.

To log in and configure your appliance, see *TIBCO LogLogic® Log Management Intelligence Configuration and Upgrade*.

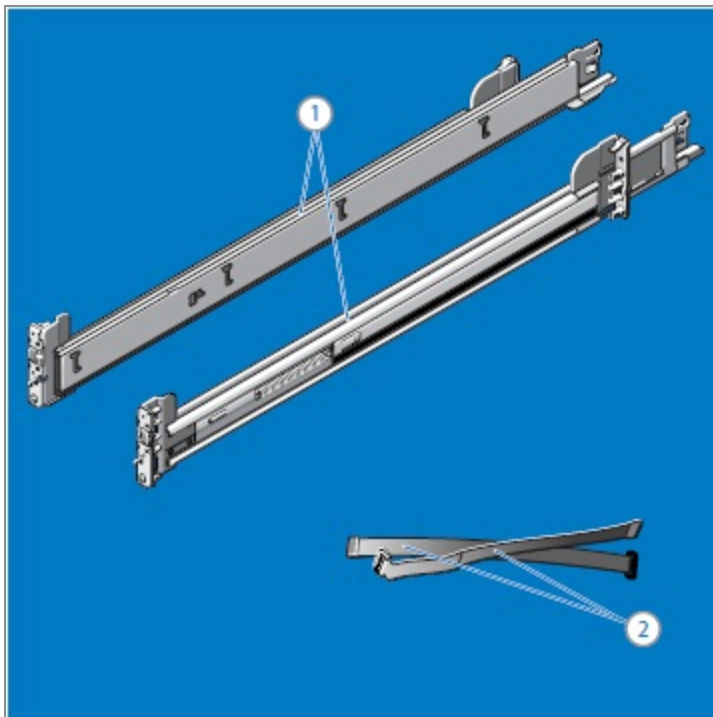
Unpack and Verify Parts in the Kit

Unpack the kit and verify that the following parts are available in the kit:

- TIBCO LogLogic® appliance
- A ReadyRails sliding rails kit for rack installation
- Cable Management Arm kit
- Power cords
- Console 9-pin DTE connector and cable
- System Documentation CD and Product Information Guide

The ReadyRails sliding rails kit contains the following parts:

1. ReadyRails sliding rails assemblies
2. Hook and loop straps



Installing System in a Rack

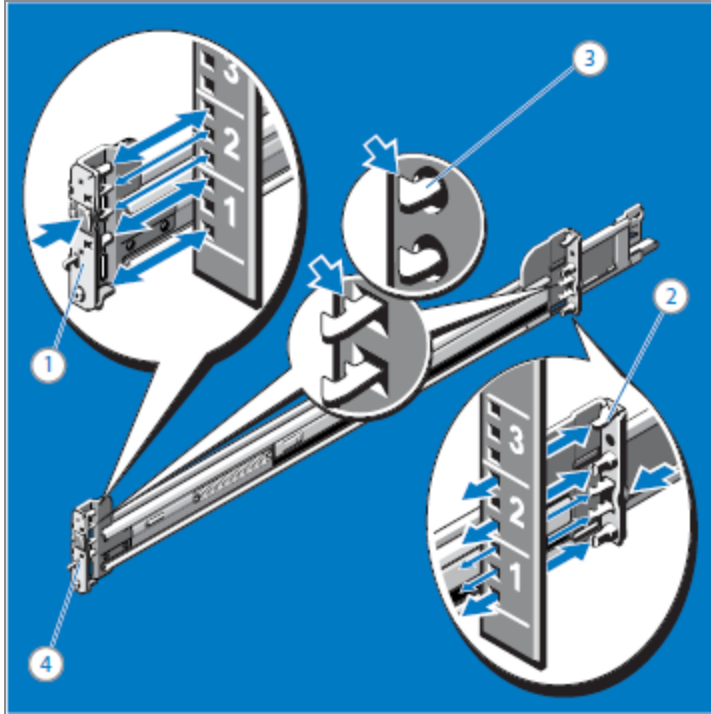
System installation involves the following steps:

1. [Installing and Removing Tool-less Rails](#)
2. [Installing and Removing Tooled Rails](#)
3. [Installing the System in a Rack](#)
4. [Removing the System From the Rack](#)
5. [Engaging and Releasing the Slam Latch](#)
6. [Routing the Cables](#)

Installing and Removing Tool-less Rails

Procedure

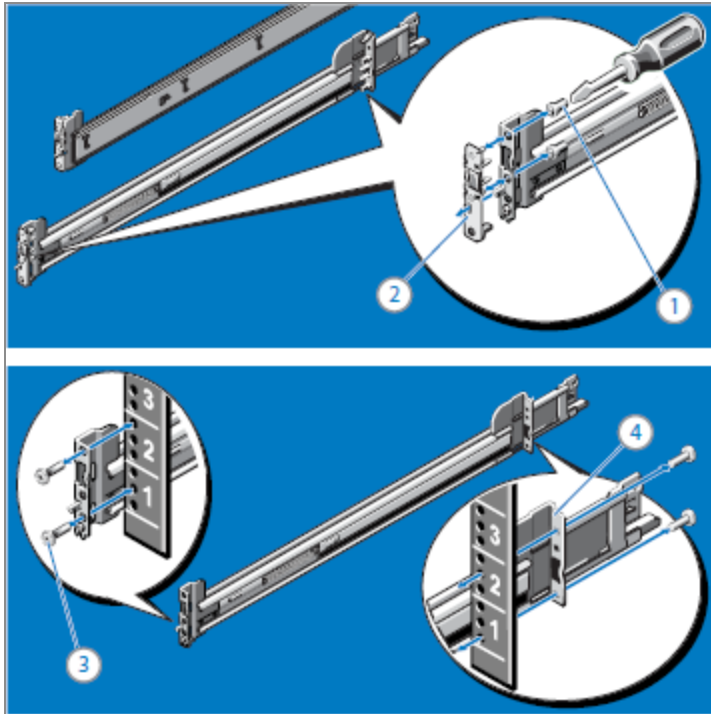
1. Position the left and right rail end pieces labeled FRONT facing inward and orient each end piece to seat in the holes on the front side of the vertical rack flanges.
2. Align each end piece in the bottom and top holes of the desired U spaces.
3. Engage the back end of the rail until it fully seats on the vertical rack flange and the latch clicks into place. Repeat these steps to position and seat the front-end piece on the vertical rack flange.
4. To remove the rails, pull the latch release button on the end piece midpoint and unseat each rail.



Installing and Removing Tooled Rails

Procedure

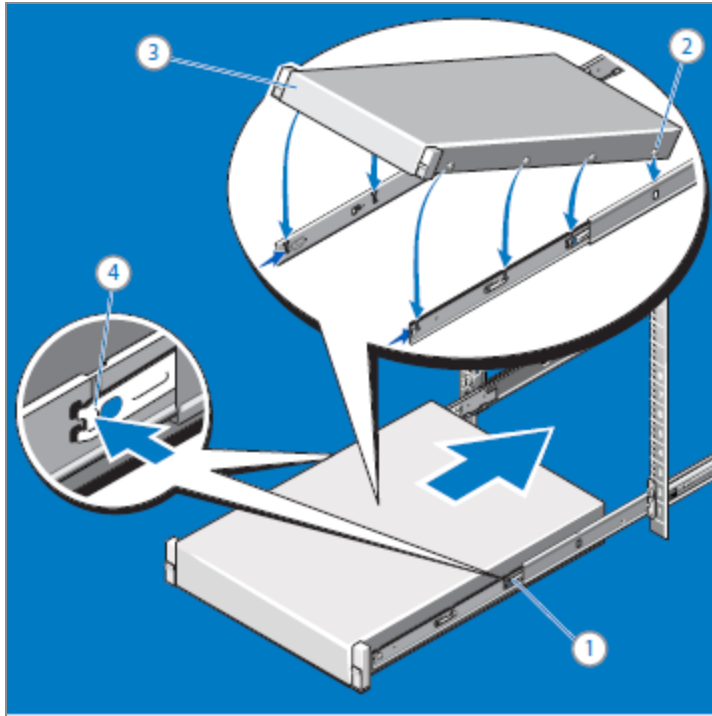
1. Remove the pins from the front and rear mounting brackets by using a flat-tipped screwdriver.
2. Pull and rotate the rail latch subassemblies to remove them from the mounting brackets.
3. Attach the left and right mounting rails to the front vertical rack flanges by using two pairs of screws.
4. Slide the left and right back brackets forward against the rear vertical rack flanges and attach them by using two pairs of screws.



Installing the System in a Rack

Procedure

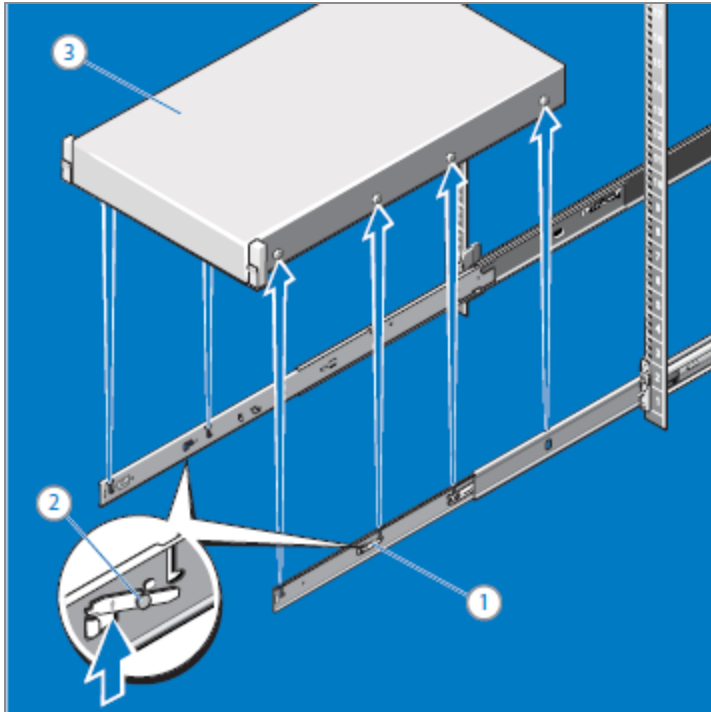
1. Pull the inner slide rails out of the rack until they lock into place.
2. Locate the rear rail standoff on each side of the system and lower them into the rear J-slots on the slide assemblies.
3. Rotate the system downward until all the rail standoffs are seated in the J-slots.
4. Push the system inward until the lock levers click into place. Press the slide-release lock buttons on both rails and slide the system into the rack.



Removing the System From the Rack

Procedure

1. Locate the lock levers on the sides of the inner rails.
2. Unlock each lever by rotating it up to its release position.
3. Grasp the sides of the system firmly and pull it forward until the rail standoffs are at the front of the J-slots. Lift the system up and away from the rack and place it on a level surface.

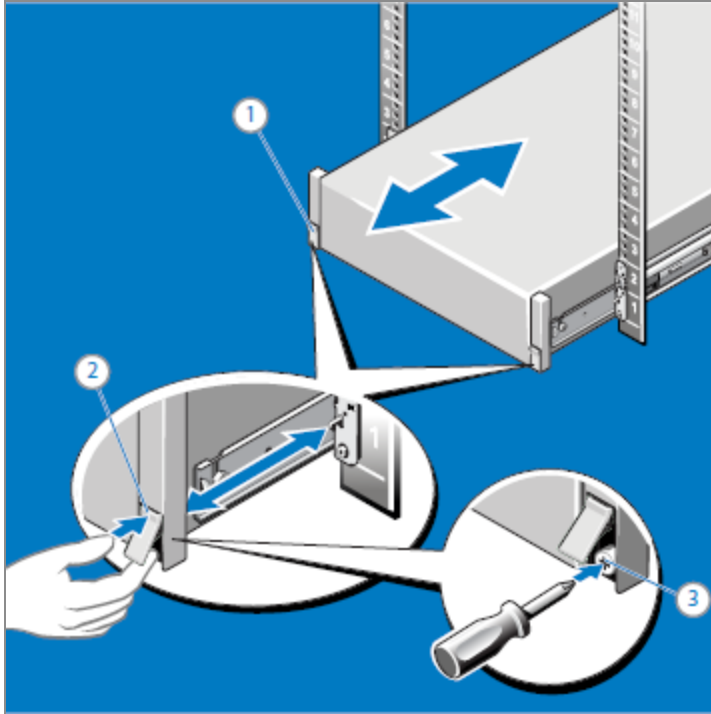


Engaging and Releasing the Slam Latch

i Note: For systems not equipped with slam latches, secure the system by using screws, as described in [Installing and Removing Tooled Rails](#).

Procedure

1. Facing the front, locate the slam latch on either side of the system.
2. The latches engage automatically as the system is pushed into the rack and are released by pulling up on the latches.
3. To secure the system for shipment in the rack or for other unstable environments, locate the hard-mount screw under each latch and tighten each screw with a #2 Phillips screwdriver.

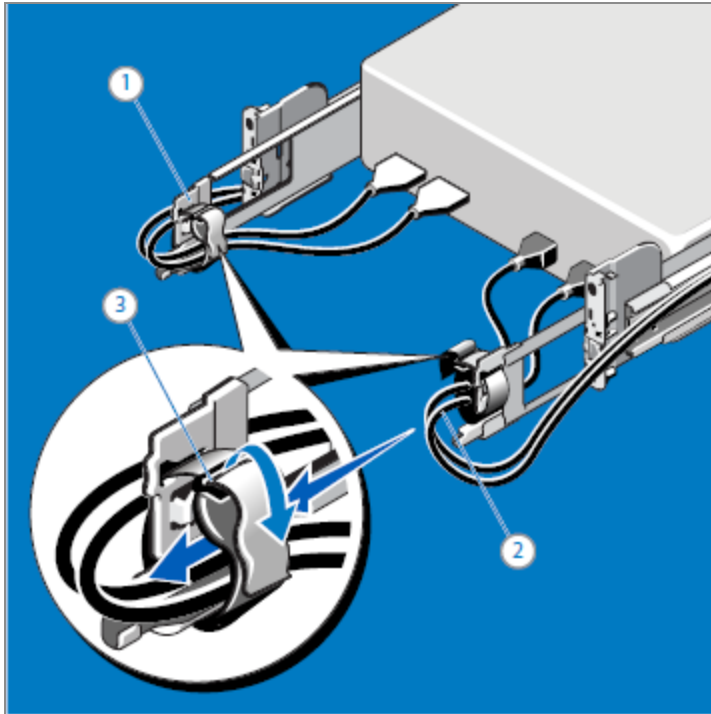


Routing the Cables

i Note: If you did not order the optional CMA, use the two hook and loop straps provided in the rail kit to route the cables at the back of your system.

Procedure

1. Locate the outer CMA brackets on the interior sides of both rack flanges.
2. Bundle the cables gently, pulling them clear of the system connectors to the left and right sides.
3. Thread the hook and loop straps through the tooled slots on the outer CMA brackets on each side of the system to secure the cable bundles.



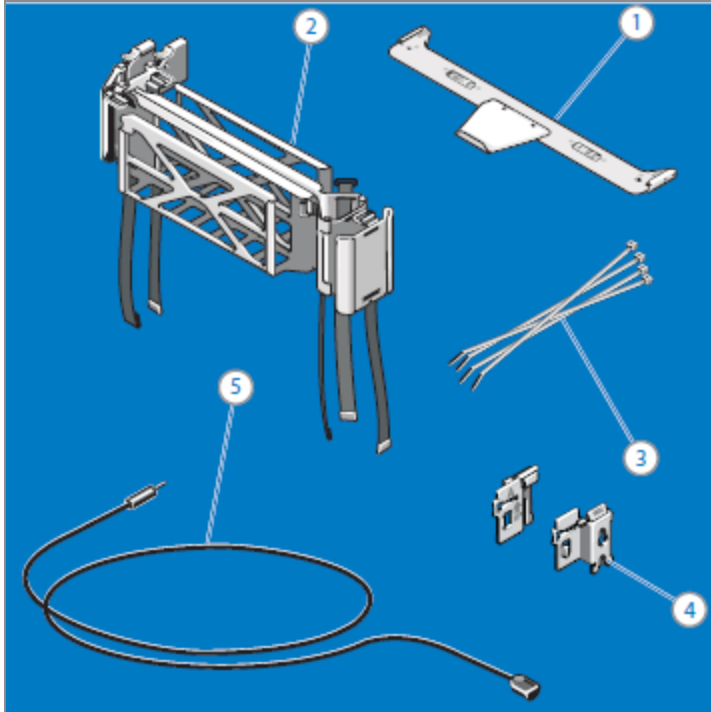
Installation of the Cable Management Arm (CMA)

Installing the Cable Management Arm includes the following tasks.

1. [Identifying the Cable Management Arm Kit Contents](#)
2. [Installing and Removing the CMA Tray](#)
3. [Installing the CMA Attachment Brackets](#)
4. [Installing and Removing the CMA](#)
5. [Moving the CMA Away from the CMA Tray](#)
6. [Cabling the System Using the CMA](#)

Identifying the Cable Management Arm Kit Contents

Locate the components for installing the Cable Management Arm (CMA) assembly:



1. CMA tray
2. CMA
3. Nylon cable tie wraps
4. CMA attachment brackets
5. Status indicator cable

i Note: To secure the CMA for shipment in the rack, loop the tie wraps around both the baskets and the tray and cinch them firmly. If necessary, the tie wraps can be threaded through the inner and outer baskets and around the tray to secure them.

Result

Securing the CMA in this manner secures your system in unstable environments.

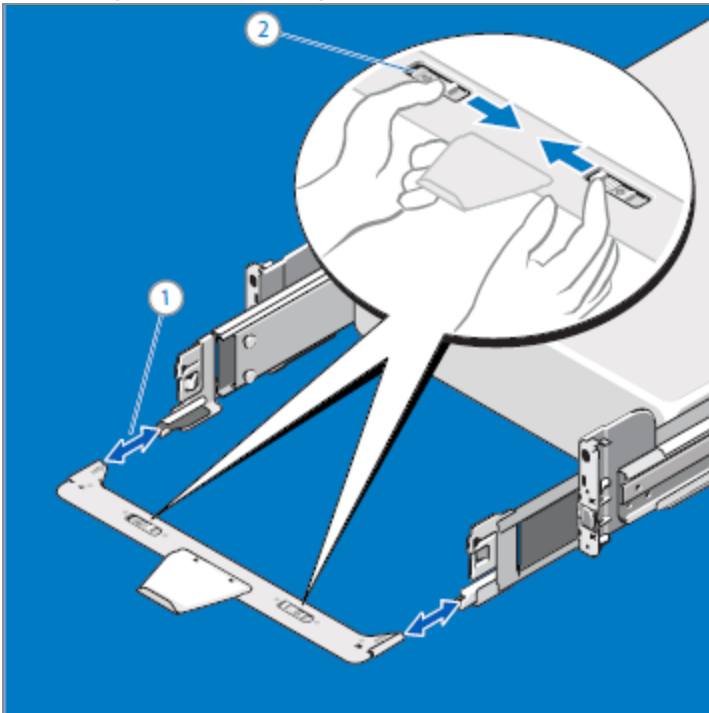
Installing and Removing the CMA Tray

The CMA tray provides support and acts as a retainer for the CMA.

Procedure

1. Align and engage each side of the tray with the receiver brackets on the inner edges of the rails. Push the tray forward until it clicks into place.
2. To remove the tray, squeeze the latch-release buttons toward the center and pull the tray out of the receiver brackets.

Installing and Removing CMA Attachment Brackets



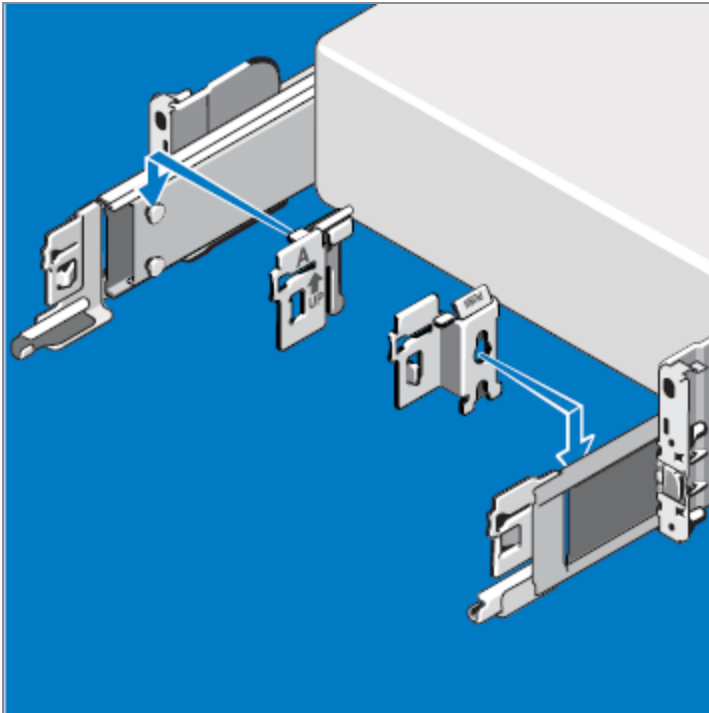
Installing the CMA Attachment Brackets

Depending on the cable routing from the system, attach the CMA to either the right or left mounting rail.

i Note: It is good practice to mount the CMA on the side opposite of the power supplies (SIDE A). Mounting to SIDE B requires the CMA to be disconnected to remove the outer power supply. Always remove the tray before removing the power supplies.

Procedure

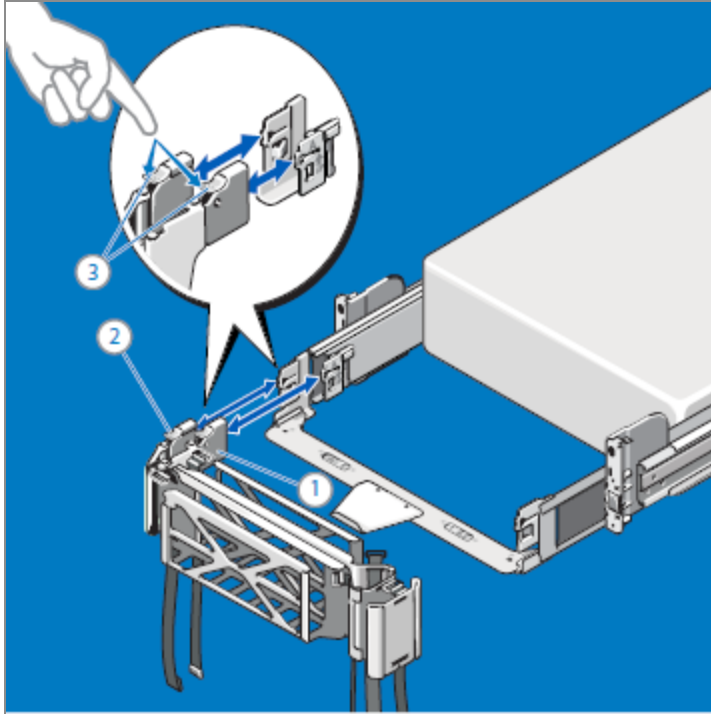
1. Select the appropriate CMA attachment bracket based on the side you mount the CMA (either SIDE A or SIDE B).
2. Install the CMA attachment bracket at the back of the slide rail with the corresponding SIDE A or SIDE B marking.
3. Align the holes on the bracket with the pins on the slide rail and push the bracket downward until it locks into place.



Installing and Removing the CMA

Procedure

1. At the back of the system, fit the latch on the front end of the CMA on the innermost bracket of the slide assembly until the latch engages.
2. Fit the other latch on the end of the outermost bracket until the latch engages.
3. To remove the CMA, disengage both latches by pressing the CMA release buttons on the top of the inner and outer latch housings.

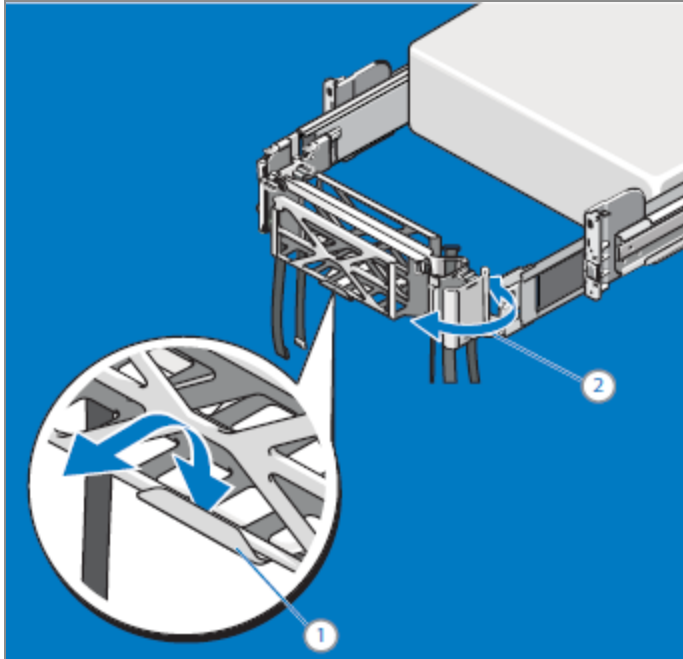


Moving the CMA Away from the CMA Tray

The CMA can be rotated away from the system for access and service (service position).

Procedure

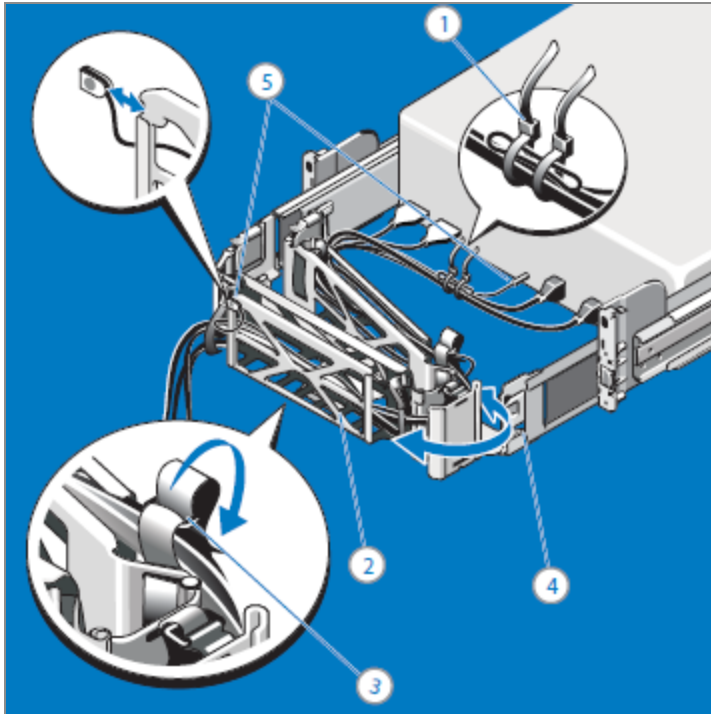
1. At the hinged end, lift the CMA away from the tray to unseat it.
2. After it is unseated from the tray, swing the CMA away from the system.



Cabling the System by Using the CMA

Procedure

1. By using the tie wraps provided, bundle the cables together as they enter and exit the baskets so they do not interfere with adjacent systems.
2. With the CMA in the service position, route the cable bundle through the inner and outer baskets.
3. Use the pre-installed hook and loop straps on either end of the baskets to secure the cables.
4. Swing the CMA back into place on the tray.
5. Install the status indicator cable at the back of the system and secure the cable by routing it through the CMA. Attach the other end of this cable to the corner of the outer CMA basket.

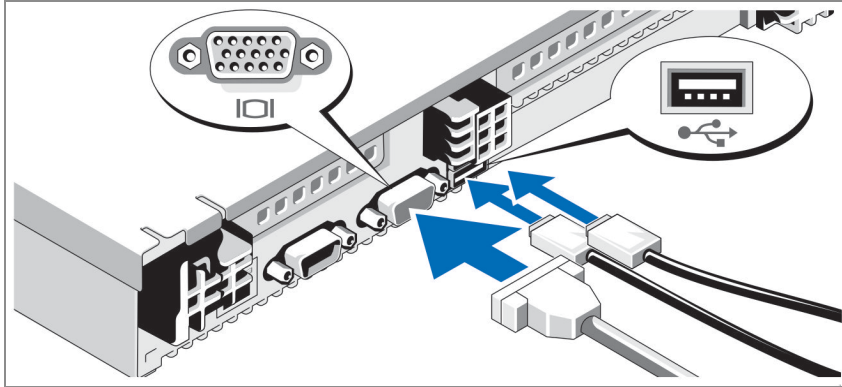


Optional—Connecting the Keyboard, Mouse, and Monitor

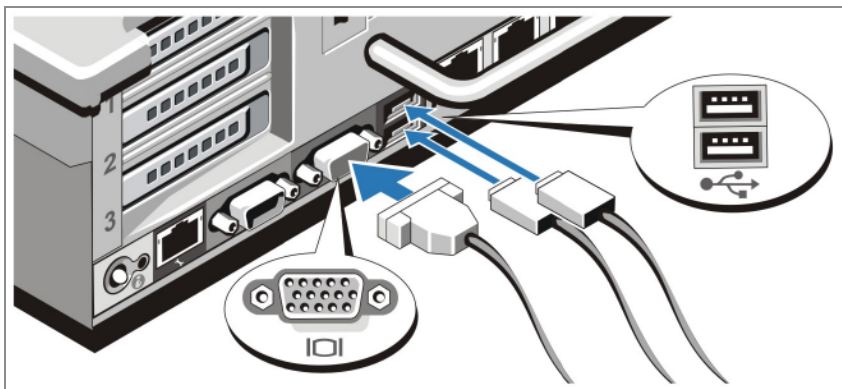
Procedure

1. Connect the keyboard, mouse, and monitor (optional).
2. The connectors on the back of your system have icons indicating which cable to plug into each connector. Be sure to tighten the screws (if any) on the monitor's cable connector.

Connecting Keyboard, Mouse, and Monitor Cables (for 1U system)



Connected Keyboard, Mouse, and Monitor Cables (for 2U system)

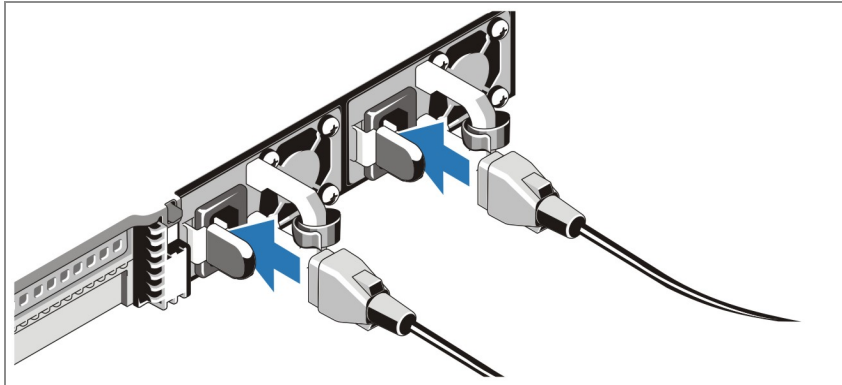


Connecting and Securing the Power Cables

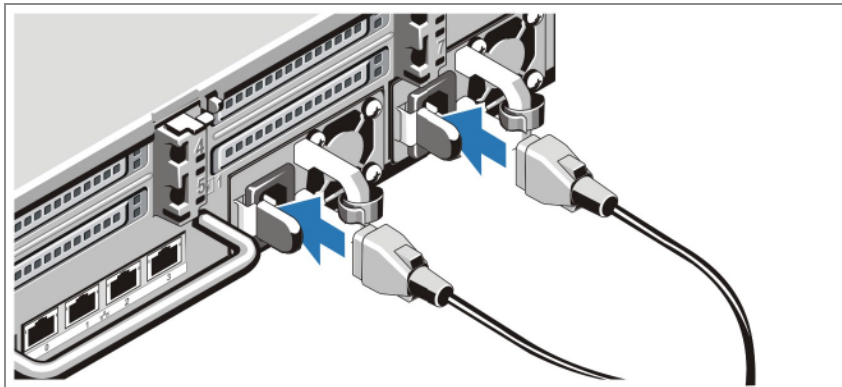
Connecting the Power Cables

Connect the system power cables to the system and, if a monitor is used, connect the monitor's power cable to the monitor (located at the back side of the appliance) as shown in the following figure.

Connected Power Cables (for 1U system)



Connected Power Cables (for 2U system)

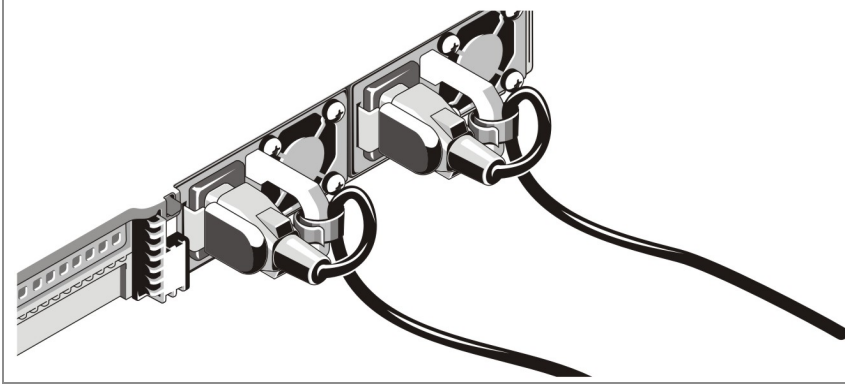


Securing the Power Cables

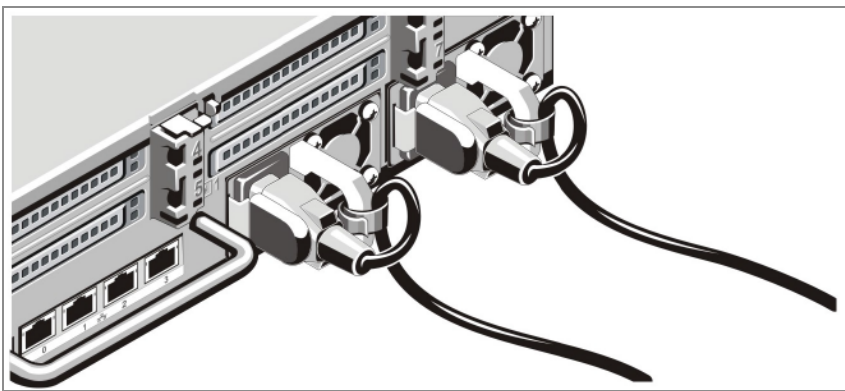
Procedure

1. Bend the system power cables, as shown in the illustration, and attach them to the cable strap.
2. Plug the other end of the power cables into a grounded electrical outlet or a separate power source such as an uninterruptible power supply (UPS) or a power distribution unit (PDU).

Secured Power Cables (for 1U system)



Secured Power Cables (for 2U system)

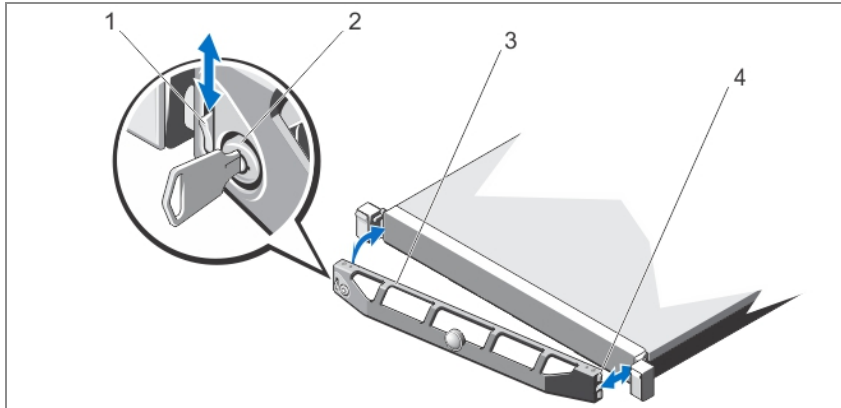


Removing the Front Bezel

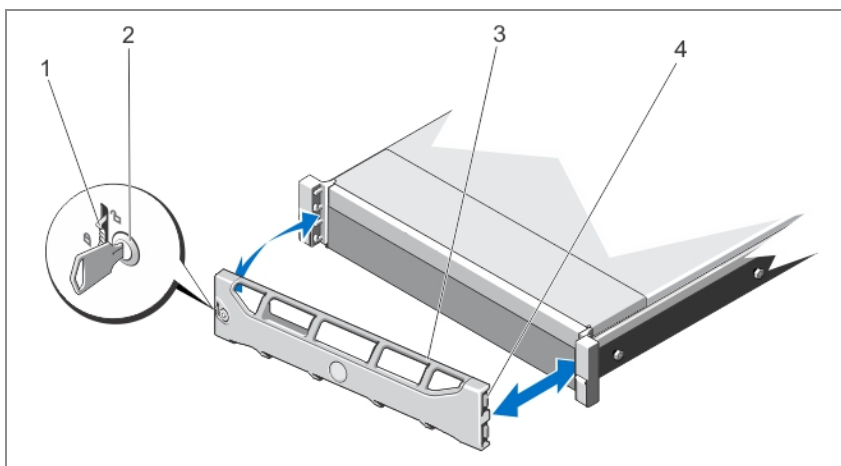
Procedure

1. Unlock the key lock at the left end of the bezel.
2. Lift the release latch next to the key lock.
3. Rotate the left end of the bezel away from the front panel.
4. Unhook the right end of the bezel and pull the bezel away from the system.

Removed Front Bezel (for 1U system)



Removed Front Bezel (for 2U system)

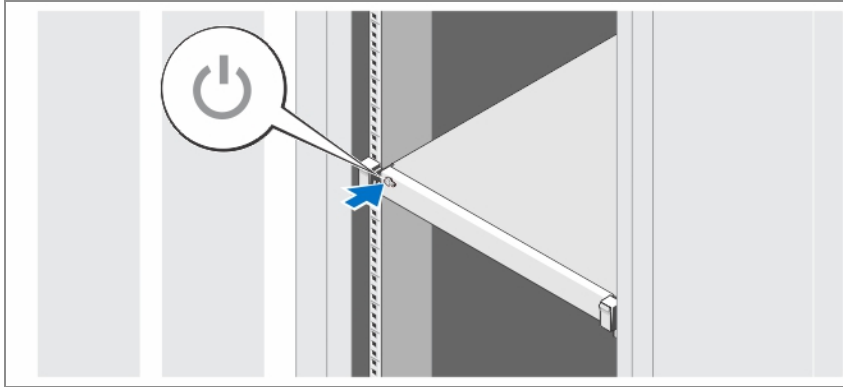


Powering up the Appliance

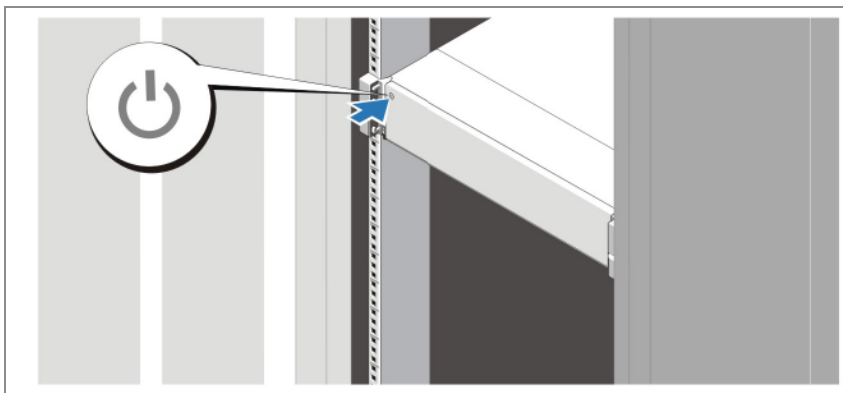
Procedure

1. Press the **Power** button (located on the front side) on the system. In few seconds, the power indicator should light.

Power Button (for 1U system)



Power Button (for 2U system)



2. Wait for about 3 to 5 minutes for the system to boot up. During this time, you can see various messages appearing on the screen. Once the system boots up, the screen displays the following prompt.

```
[ OK ] Started Notify NFS peers of a restart.
[ OK ] Started LSB: Starts the Spacewalk Daemon.
        Starting Wait for Plymouth Boot Screen to Quit...
        Starting Terminate Plymouth Boot Screen...
[ OK ] Started Command Scheduler.
[ OK ] Started Job spooling tools.
[ OK ] Started OpenSSH server daemon.
[ OK ] Started Pre-Logappd Service.
[ 73.605912] Fusion MPT base driver 3.04.20
[ 73.655425] Copyright (c) 1999-2008 LSI Corporation
[ 73.716596] Fusion MPT misc device (ioctl) driver 3.04.20
[ 73.781698] mptctl: Registered with Fusion MPT base driver
[ 73.847790] mptctl: /dev/mptctl @ (major,minor=10,220)
[ 74.029486] nf_conntrack version 0.5.0 (65536 buckets, 262144 max)
[ 74.143276] ip6_tables: (C) 2000-2006 Netfilter Core Team

TIBCO Software Inc. release 6.3.1
logapp login:
```

Result

You have successfully installed the appliance.

Logging in to the Appliance

For instructions about how to log in to the appliance by using either a Web browser or Console, refer to the *TIBCO LogLogic® Log Management Intelligence Configuration and Upgrade*.

Integrated Dell Remote Access Controller

As a system administrator, use the Integrated Dell Remote Access Controller (iDRAC) to receive alerts on system issues, and manage systems remotely, thereby reducing the need for physical access to the system.

i Note: To access iDRAC, ensure that you connect the Ethernet cable to the iDRAC direct port. See the rear panel description of your appliance model in the [External Hardware Descriptions](#) section.

Options to Set Up iDRAC

To enable the communication to and from iDRAC, you must configure the initial network settings based on your network infrastructure. When you configure the initial network settings, including setting up a static IP for iDRAC, use the default iDRAC IP address 192.168.0.120.

Logging in to iDRAC

You can log in to iDRAC as an iDRAC user by using the following default credentials:

- user name: root
- password: calvin

Procedure

1. Open a supported web browser.
2. In the **Address** field, type `https://<iDRAC IP address>` and press Enter.

i Note: If the default HTTPS port number (port 443) was changed, enter `https://<iDRAC IP address>:<port-number>` where *<iDRAC IP address>* is the iDRAC IPv4 or IPv6 address and *<port-number>* is the HTTPS port number.

The login page is displayed.

3. In the **Username** and **Password** fields, enter your iDRAC user name and password.
4. From the **Domain** drop-down menu, select This iDRAC.

Configuring Local Users

You can add and configure local iDRAC users by using the iDRAC Web user interface.

Before you begin

You must have Configure Users permission to create an iDRAC user.

Procedure

1. In the iDRAC Web interface, go to **Overview > iDRAC Settings > User Authentication > Local Users**.

The Users page is displayed.

2. In the User ID column, click a user ID number.

i Note: User 1 is reserved for the Intelligent Platform Management Interface (IPMI) anonymous user and you cannot change this configuration.

3. On the User Main Menu page, select Configure User and click **Next**.
4. On the User Configuration page, enable the user ID and specify the user name, password, and access privileges for the user.
5. Click **Apply**.

Result


The user is created with the required privileges.

For more information about configuration options, see Integrated Dell Remote Access Controller User's Guide at dell.com/idracmanuals.

Updating the Firmware

Update the integrated Dell Remote Access Controller (iDRAC) and the BIOS firmware on your appliances.

1. [Updating the integrated Dell Remote Access Controller \(iDRAC\) Firmware](#)
2. [Updating the BIOS Firmware on H4 Appliances](#)

 **Tip:** It is good practice to update the iDRAC before updating the BIOS.

Updating the integrated Dell Remote Access Controller (iDRAC) Firmware

You can update the iDRAC firmware by using the iDRAC Web user interface.

Procedure

1. Log in to the iDRAC Web user interface.
The default user name is: root, and the password is: calvin
If you have changed the password, use yours.
2. On the landing page, click **Update and Rollback**.
On H5 appliances having iDRAC9, navigate to **Maintenance > System Update**.
3. Click **Choose File**, browse to the directory in the supplemental package where the <iDRAC_FIRMWARE> file is stored, and click **Upload**.
4. Under **Update Details**, select the <iDRAC_FIRMWARE> file and click **Install**.
5. On the dialog box, click **Job Queue**.
Observe the status displayed on the page. After the process is complete, you might have to refresh the browser window and log in again.

i Note: Refreshing the page while the update is in progress does not refresh the Web page. You must wait for the process to complete.

Result

After the process is complete, the iDRAC is reset and the Web user interface is available.

Updating the BIOS Firmware

You can update the BIOS using the Unified Extensible Firmware Interface (UEFI) based BIOS flash utility or the .exe BIOS flash file as applicable to your appliance.

The procedure to update the BIOS firmware is different for H4 and H5 appliances.

- [Updating the BIOS Firmware on H5 Appliances](#)
- [Updating the BIOS Firmware on H4 Appliances](#)

Updating the BIOS Firmware on H5 Appliances

On H5 appliances, you can update the BIOS by using the .exe BIOS flash file.

Procedure

1. Log in to the appliance by using SSH and shut down the machine by running the command:

```
# shutdown -h now
```

2. Log in to iDRAC and navigate to **iDRAC Settings > Update and Rollback**.
On H5 appliances having iDRAC9, go to **Maintenance > System Update**.
3. In the **File Path** field, click **Choose Path**, select the .exe file from the saved location in your system and click **Upload**.
4. Under **Update Details**, select the check box next to the file name and click **Install and Reboot** or **Install Next Reboot**.

5. On the dialog box, click **Job Queue**.

The BIOS update process starts and the system restarts on its own. Do not restart or power off the system while the update process is going on.

If the system does not restart automatically in a few minutes, open the virtual console and reboot the system by selecting **Power > Reset System**.

Result

After the process is complete and the system has restarted, the status of the BIOS update is shown as Completed under **Job Queue**.

What to do next

After the update is complete, you can start using the appliance.

Updating the BIOS Firmware on H4 Appliances

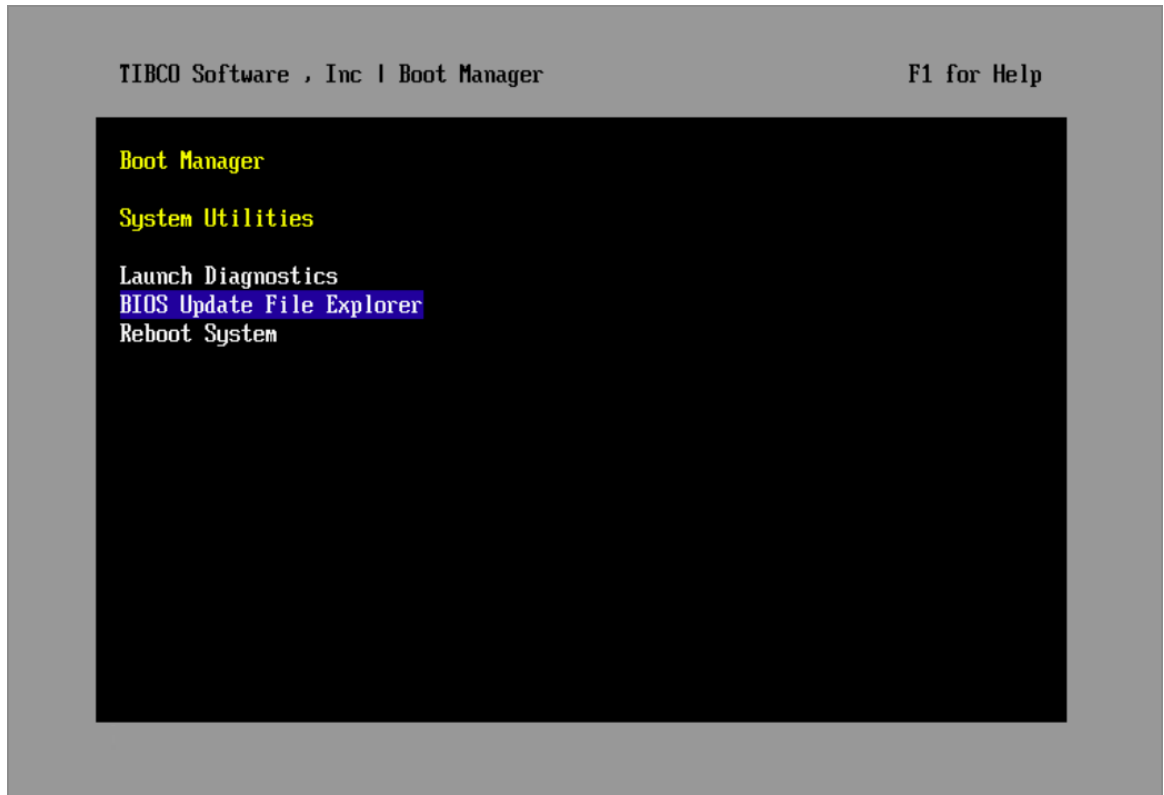
On H4 appliances, you can update the BIOS by using the UEFI BIOS flash utility.

Procedure

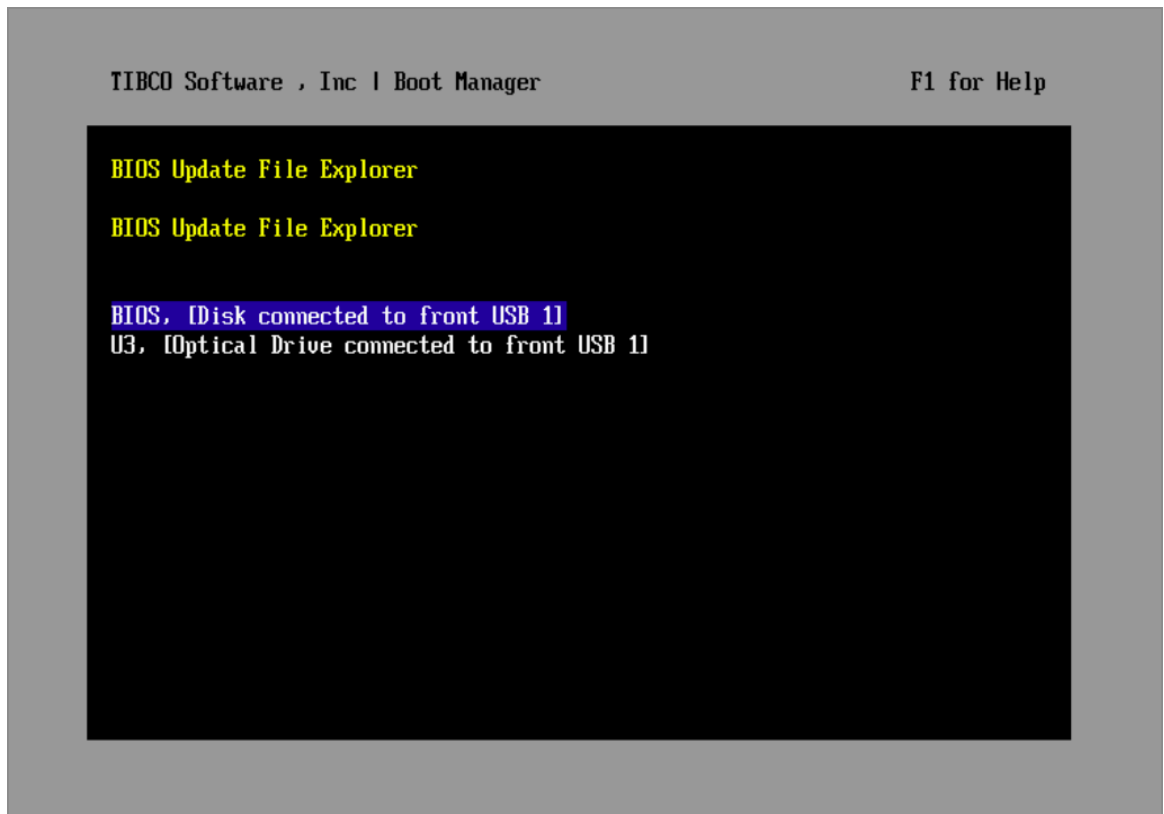
1. Copy the UEFI BIOS flash utility (.efi file) from the LogLogic® LMI supplemental package to a USB key.
2. Plug in the USB key and power on the server.
3. Press F11 during the Power-On Self-Test (POST) to enter the BIOS Boot Manager.
4. Select **System Utilities**.



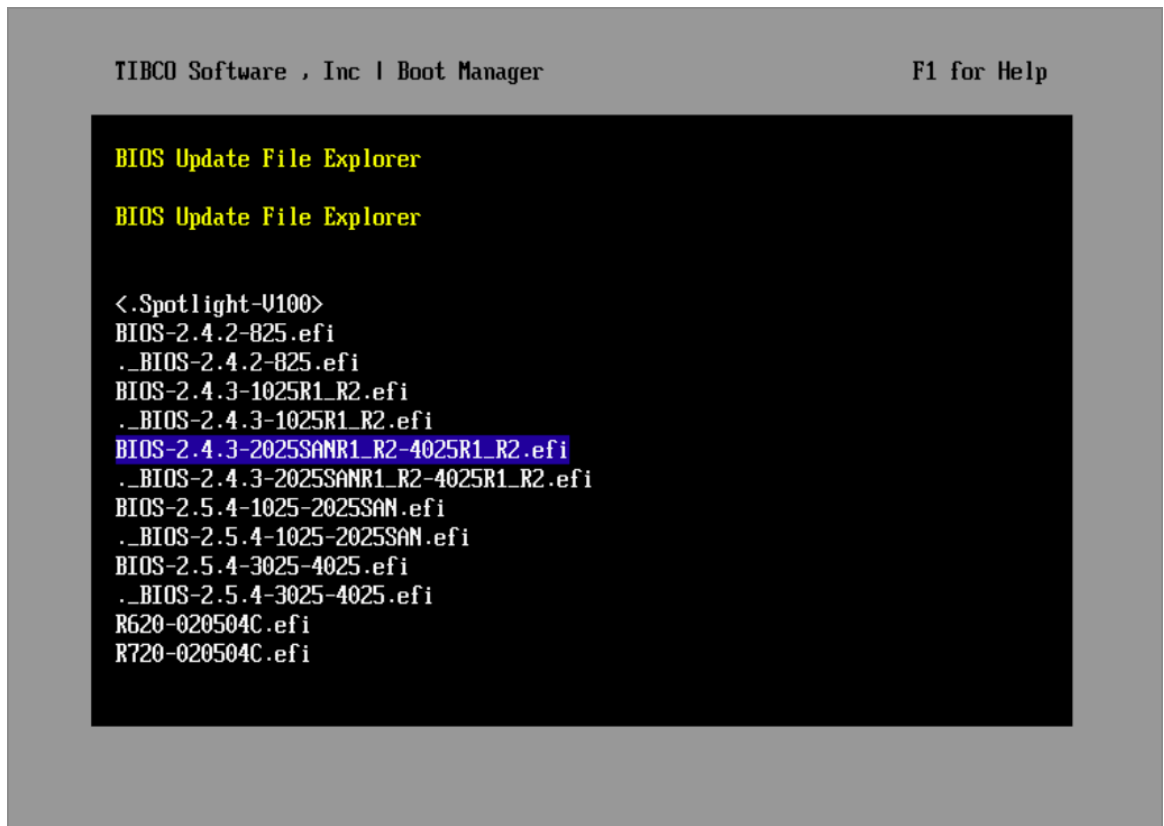
5. Select **BIOS Update File Explorer**.



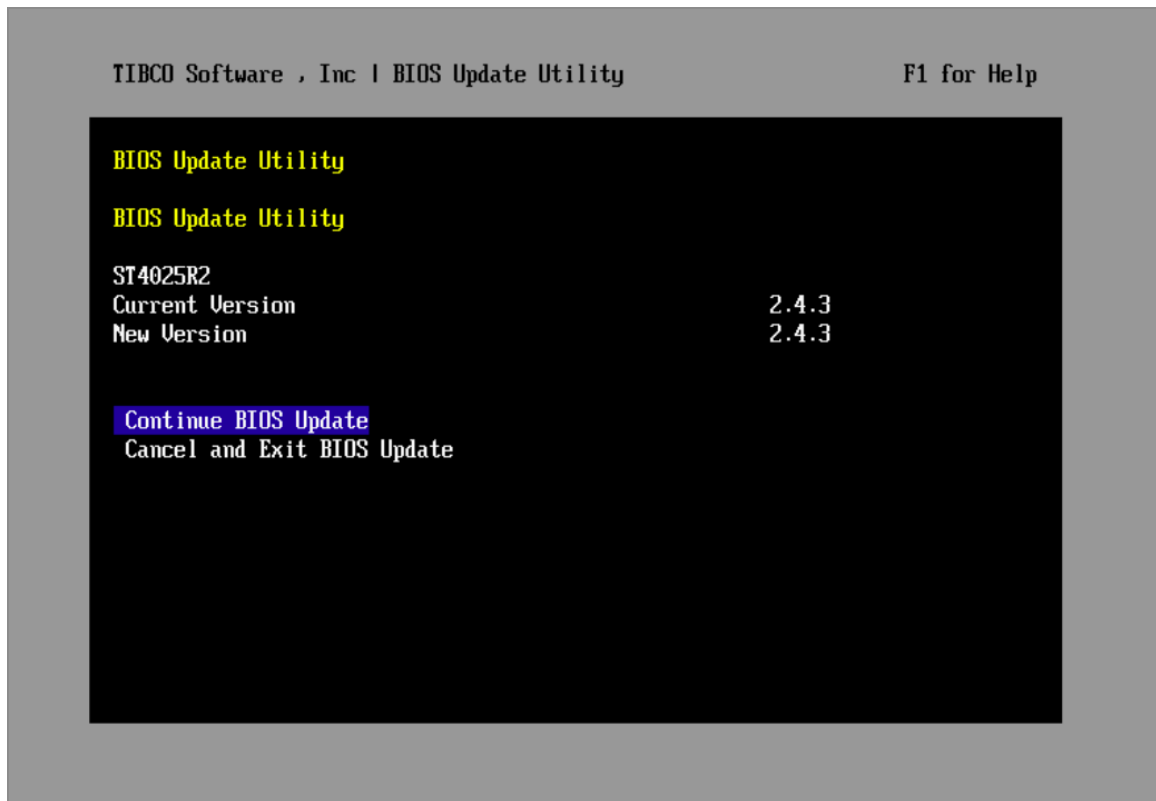
6. On the USB key, browse to the UEFI BIOS flash utility file.
For example: BIOS-2.4.3-2025SANR1_R2-4025R1_R2.efi



7. Select the file and press **Enter**.
The BIOS flash utility launches.



8. Select **Continue BIOS Update** and press **Enter**.



9. While the update is in progress, a message showing **Updating BIOS** is displayed.

What to do next

After the process completes, you can start using the appliance.

External Hardware Descriptions

This section describes the hardware specifications for the TIBCO LogLogic® family of products.

This section provides a series of graphics displaying the external hardware and provides the hardware specifications for the TIBCO LogLogic® family of products. The appliances are grouped by appliance family.

i Note:

- All LogLogic appliances are provided with rails that you can use to mount to a 19-inch enclosed equipment rack. Hardware such as brackets and screws are provided to secure the appliances to the 19-inch equipment rack.
- Using SSD drives with the appliance is optional.

TIBCO LogLogic® appliances are provided with an embedded SD card that contains an image of the appliance software. This feature facilitates re-imaging the appliance in case of critical hardware or software failure. For instructions about how to use the backup image for recovery, contact TIBCO LogLogic® support through the online support portal at [TIBCO Support website](#) or by email: support@tibco.com.

TIBCO LogLogic® hardware appliances are broadly categorized as:

- H5 Appliances
- H4 Appliances

H5 Appliances

H5 appliances are available starting from LogLogic® LMI 6.2.1.

The H5 series includes the following appliances:

LogLogic® LX Appliance Product Family	LogLogic® ST Appliance Product Family
<ul style="list-style-type: none"> • TIBCO LogLogic® LX1035 Appliance • TIBCO LogLogic® LX4035 Appliance 	<ul style="list-style-type: none"> • TIBCO LogLogic® ST2035-SAN Appliance • TIBCO LogLogic® ST4035 Appliance
For more information, see LogLogic LX Appliance Product Family .	For more information, see LogLogic ST Appliance Product Family .

LogLogic LX Appliance Product Family

This section describes the LX series of H5 appliances.

The LogLogic LX Appliance product family includes the following appliances:

- [LX1035 Appliance](#)
- [LX4035 Appliance](#)

LogLogic LX Appliance Product Family Specifications

Hardware Specifications	LX1035	LX4035
CPU	Single Xeon Gold (14 cores)	Dual Xeon Gold (28 cores)
RAM	256GB	256GB
SAN	Not applicable	Not applicable
SSD (Optional)	No	8 x 960 GB
CD ROM	No	No
Disk Drive	2 x 2TB	8 x 4TB
RAID	RAID 1	RAID 10
Usable disk with RAID	1.75 TB	14.43 TB

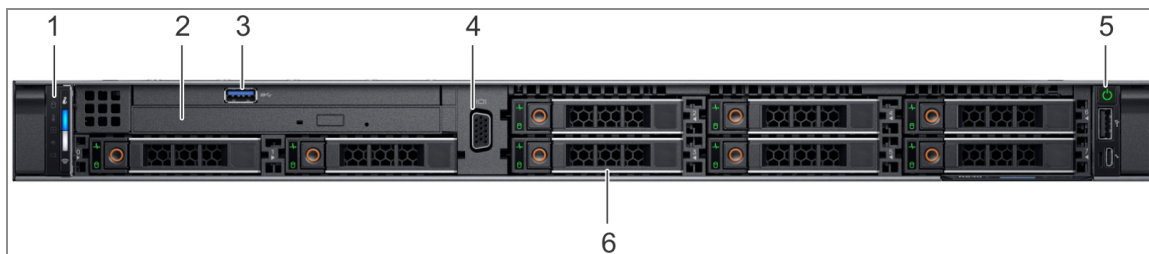
Hardware Specifications	LX1035	LX4035
RAID SSD (Optional)	No	RAID 6
Usable disk with RAID SSD	N/A	5.2 TB
AC Input	100-240 V 50-60 Hz	100-240 V 50-60 Hz
Power Consumption	495 W	750 W
Heat Dissipation	1908 BTU/hr.	2891 BTU/hr.
AC Current	3A - 6.5A	3A - 10A
Operating Altitude	3048 m (10,000 ft)	3048 m (10,000 ft)
Operating Temperature	10°C to 30°C (50°F to 86°F) with no direct sunlight on the equipment	
Relative Humidity	10% to 80% relative humidity with 29°C (84.2°F) maximum dew point	
19" Rack Mount Chassis	1U	2U
Chassis Mounting	Rail Kit is provided. For instructions, see Installing the System in a Rack .	
Chassis (W x H x D)	18.97 x 26.89 x 1.68 inches	18.98 x 28.17 x 3.42 inches
Weight	48.28 lb	63.05 lb
Ethernet	6x100/1000/10000	6x100/1000/10000
Bonding Port Labeling	Bond 0-Eth0 & Eth1; Bond 1-Eth2 & Eth3; Bond 2-Eth4 & Eth5;	Bond 0-Eth0 & Eth1; Bond 1-Eth2 & Eth3; Bond 2-Eth4 & Eth5;

Hardware Specifications	LX1035	LX4035
Console Connector (male) (null modem cable provided)	9-pin DTE	9-pin DTE

LX1035 Appliance

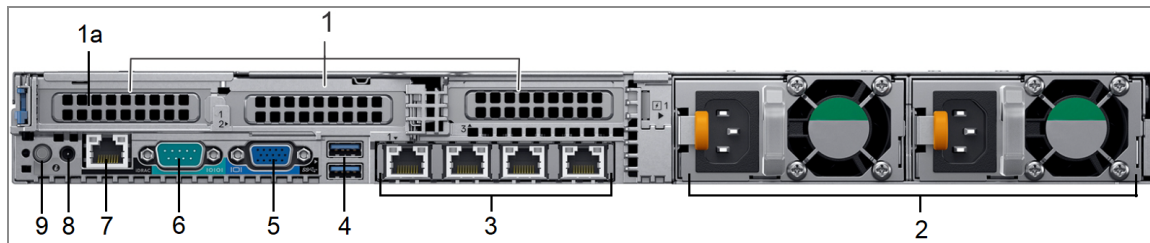
This section illustrates the front and rear panels of the LX1035 appliance.

LX1035 Front Panel



Item	Description
1	Left control panel
2	Optical drive (Not applicable)
3	USB port (optional)
4	VGA port
5	Right control panel
6	Drive slots

LX1035 Rear Panel

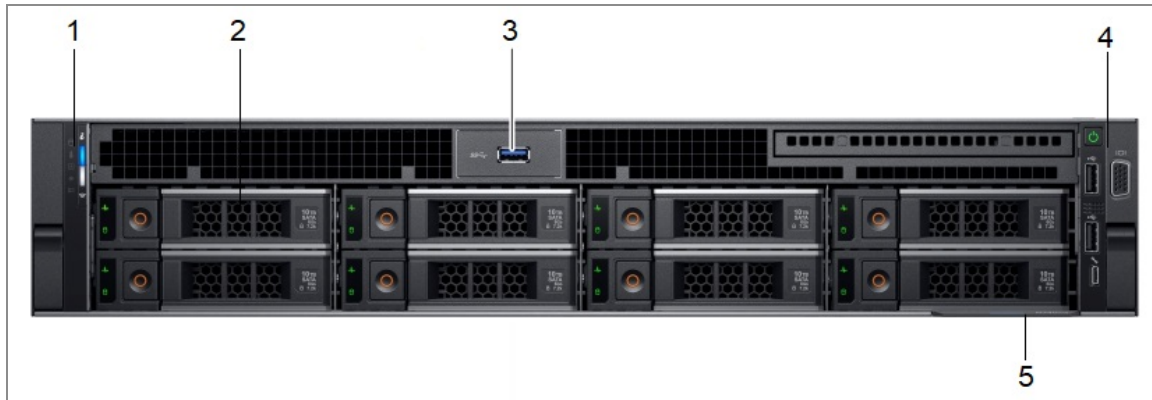


Item	Description
1	Peripheral Component Interconnect Express (PCIe) expansion card slot(s)
1a	Ethernet Port (2)
2	Power supply unit (2)
3	PCIe expansion card slot(s)
4	Power supply unit (2)
5	Ethernet port (4)
6	Serial port
7	iDRAC9 Enterprise port
8	CMA power port
9	System identification button

LX4035 Appliance

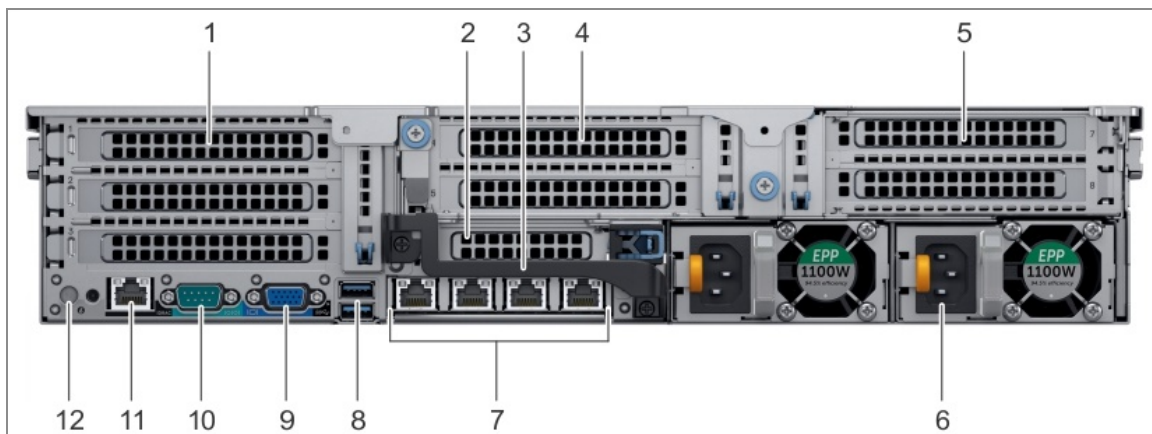
This section illustrates the front and rear panels of the LX4035 appliance.

LX4035 Front Panel



Item	Description
1	Left control panel
2	Drive slots
3	USB port (optional)
4	Right control panel
5	Information tag

LX4035 Rear Panel



Item	Description
1	2-port Ethernet
2	Half-height PCIe expansion card slot
3	Rear handle
4	Full-height PCIe expansion card slots (2)
5	Full-height PCIe expansion card slot (2)
6	Power supply unit (2)
7	Ethernet ports (4)
8	USB port (2)
9	VGA port
10	Serial port
11	iDRAC9 dedicated port
12	System identification button

LogLogic ST Appliance Product Family

This section describes the ST series of H5 appliances.

The LogLogic ST Appliance product family includes the [ST2035-SAN and ST4035 Appliances](#).

LogLogic ST Appliance Product Family Specifications

Hardware Specifications	ST2035-SAN	ST4035
CPU	Dual Xeon Gold (28 cores)	Dual Xeon Gold (28 cores)

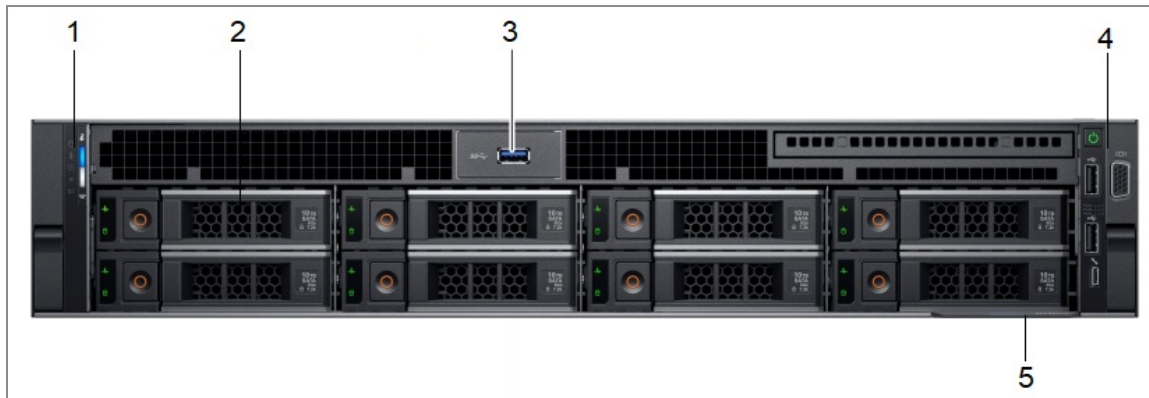
Hardware Specifications	ST2035-SAN	ST4035
RAM	256GB	256GB
SSD (Optional)	8 x 960 GB	8 x 960 GB
CD ROM	No	No
Hard Disk Drive	8 x 1 TB	8 x 4 TB
RAID	RAID 6	RAID 6
Usable disk with RAID	5.37 TB	21.67 TB
RAID SSD (Optional)	RAID 6	RAID 6
Usable disk with RAID SSD	5.2 TB	5.2 TB
Fibre Channel Adapters	Dual Port 8Gb Optical Fibre Channel HBA QLogic 2562	N/A
AC Power Connections	2	2
AC Input	100-240 V 50-60 Hz	100-240 V 50-60 Hz
Power Consumption	750 W	750 W
Heat Dissipation	2891 BTU/hr	2891 BTU/hr
AC Current	5A - 10A	5A - 10A
Operating Altitude	3048 m (10,000 ft)	3048 m (10,000 ft)
Operating Temperature	10°C to 35°C (50°F to 95°F) with no direct sunlight on the equipment	
Relative Humidity	10% to 80% relative humidity with 29°C (84.2°F) maximum dew point	

Hardware Specifications	ST2035-SAN	ST4035
19" Rack Mount Chassis	2U	2U
Chassis Mounting	Rail Kit is provided. For instructions, see Installing the System in a Rack .	
Chassis (L x W x H)	18.98 x 28.17 x 3.42 inches	18.98 x 28.17 x 3.42 inches
Weight	63.05 lb	63.05 lb
Ethernet	6x100/1000/10000	6x100/1000/10000
Bonding Port Labeling	Bond 0-Eth0 & Eth1; Bond 1-Eth2 & Eth3; Bond 2-Eth4 & Eth5;	Bond 0-Eth0 & Eth1; Bond 1-Eth2 & Eth3; Bond 2-Eth4 & Eth5;
Console Connector (male) (null modem cable provided)	9-pin DTE	9-pin DTE

ST2035-SAN and ST4035 Appliances

This section illustrates the front and rear panels of the ST2035-SAN and ST4035 appliances.

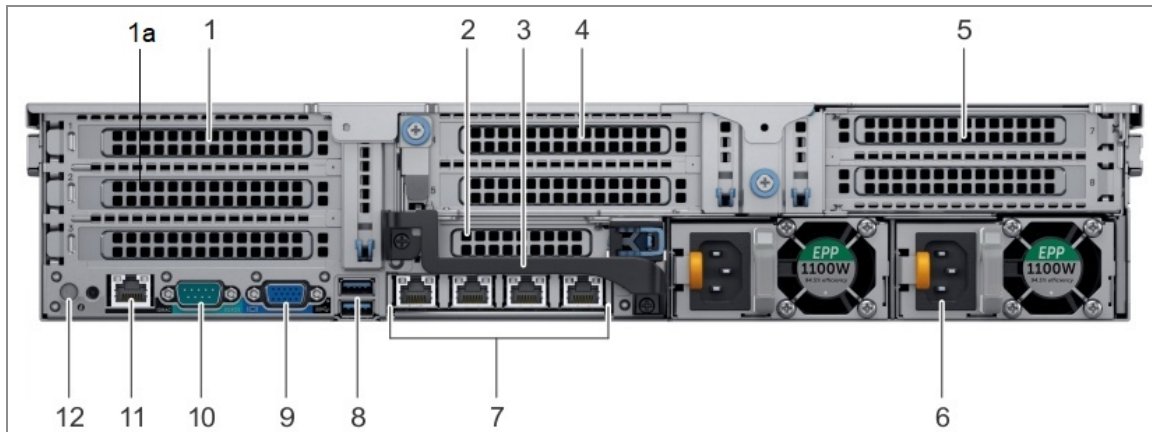
ST2035-SAN and ST4035 Front Panels



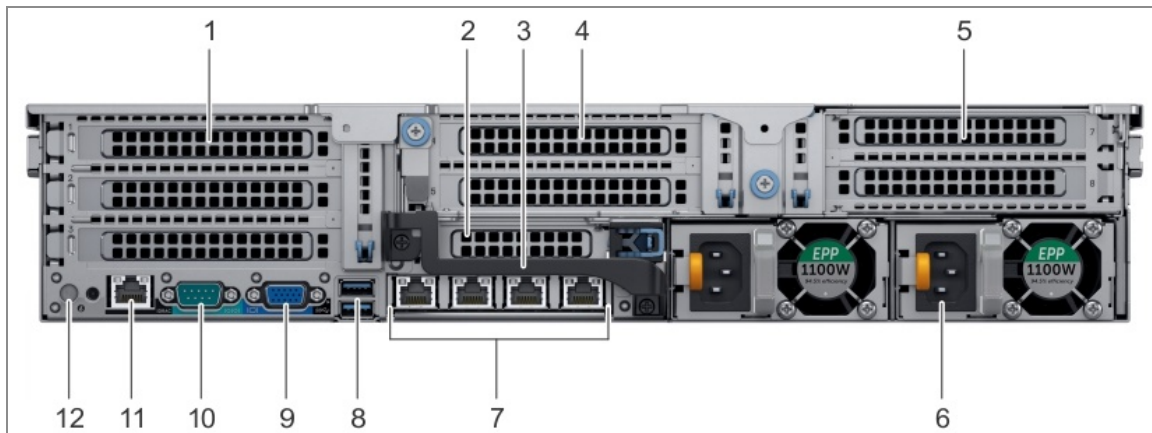
Item	Description
1	Left control panel
2	Drive slots
3	USB port (optional)
4	Right control panel
5	Information tag

ST2035-SAN and ST4035 Rear Panels

ST2035-SAN Rear Panel



ST4035 Rear Panel



ST2035-SAN and ST4035 Rear Panel

Item	Description
1	2-port Ethernet
1a	SAN/Fibre channel ports (2) - for ST2035-SAN models only
2	Half-height PCIe expansion card slot
3	Rear handle
4	Full-height PCIe expansion card slot (2)
5	Full-height PCIe expansion card slot (2)
6	Power supply unit (2)
7	Ethernet ports (4)
8	USB 3.0 port
9	VGA port
10	Serial port
11	iDRAC9 dedicated port
12	System identification button

H4 Appliances

This section describes H4 appliances.

The H4 series includes the following appliances:

Subcategory	LogLogic LX Appliance Product Family	LogLogic ST Appliance Product Family
H4R2 appliances	<ul style="list-style-type: none"> LX1025R2 LX4025R2 <p>For more information, see TIBCO LogLogic® LX R2 Appliance Product Family.</p>	<ul style="list-style-type: none"> ST2025-SANR2 ST4025R2 <p>For more information, see TIBCO LogLogic® ST R2 Appliance Product Family.</p>
H4R1 appliances	<ul style="list-style-type: none"> LX1025R1 LX4025R1 <p>For more information, see TIBCO LogLogic® LX R1 Appliance Product Family.</p>	<ul style="list-style-type: none"> ST2025-SANR1 ST4025R1 <p>For more information, see TIBCO LogLogic® ST R1 Appliance Product Family.</p>

TIBCO LogLogic® LX R2 Appliance Product Family

This section describes the LX R2 series of H4 appliances.

The LogLogic® LX R2 Appliance product family includes the following appliances:

- [LX1025R2 Appliance](#)
- [LX4025R2 Appliance](#)

LogLogic LX R2 Appliance Product Family Specifications

Hardware Specifications	LX1025R2	LX4025R2
CPU	Single Xeon E5 (14 cores)	Dual Xeon E5 (28 cores)
Memory	256 GB	256 GB
Disk Drive (HDD)	2 x 1 TB	8 x 4 TB

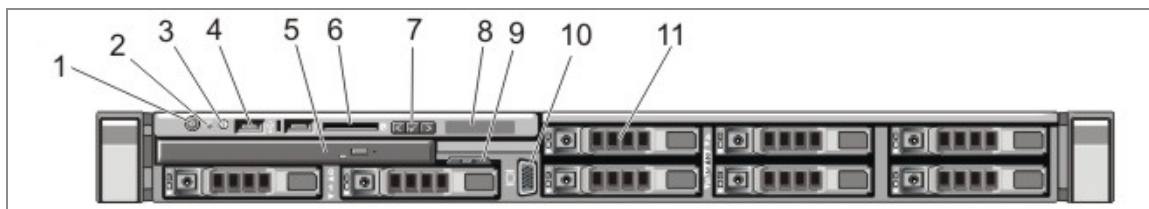
Hardware Specifications	LX1025R2	LX4025R2
RAID (HDD)	RAID 1	RAID 10
Disk Drive (SSD)	N/A	8 x 800 GB
RAID (SSD)	N/A	RAID 6
Fibre Channel Adapters	N/A	N/A
AC Power Connections	2 (for redundancy)	2 (for redundancy)
AC Input	100-240 V 50-60 Hz	100-240 V 50-60 Hz
Power Consumption	495 W	750 W
Heat Dissipation	1908 BTU/hr (max per power supply)	2891 BTU/hr (max per power supply)
AC Current	10A	10A
Operating Altitude	-50 ft to 10,000 ft -15.2 m to 3048 m	-50 ft to 10,000 ft -15.2 m to 3048 m
Operating Temperature	10-35 degrees C (De-rate maximum allowable temperature by 1 degree C per 300 meters above sea level)	
Relative Humidity	10-80%	10-80%
19" Rack Mount Chassis	1U	2U
Chassis Mounting	Rail Kit is provided. For instructions, see Installing the System in a Rack .	
Chassis (L x W x H)	27.58 x 18.99 x 1.68 inches	29.75 x 18.98 x 3.44 inches
Weight	33.1 lbs	63.65 lbs

Hardware Specifications	LX1025R2	LX4025R2
Ethernet	6x10/100/1000	6x10/100/1000
Bonding Port Labeling	Bond 0–Eth0 & Eth1; Bond 1–Eth2 & Eth3; Bond 2–Eth4 & Eth5;	Bond 0–Eth0 & Eth1; Bond 1–Eth2 & Eth3; Bond 2–Eth4 & Eth5;
Console Connector (male) (null modem cable provided)	9-pin DTE	9-pin DTE

LX1025R2 Appliance

This section illustrates the front and rear panels of the LX1025R2 appliance.

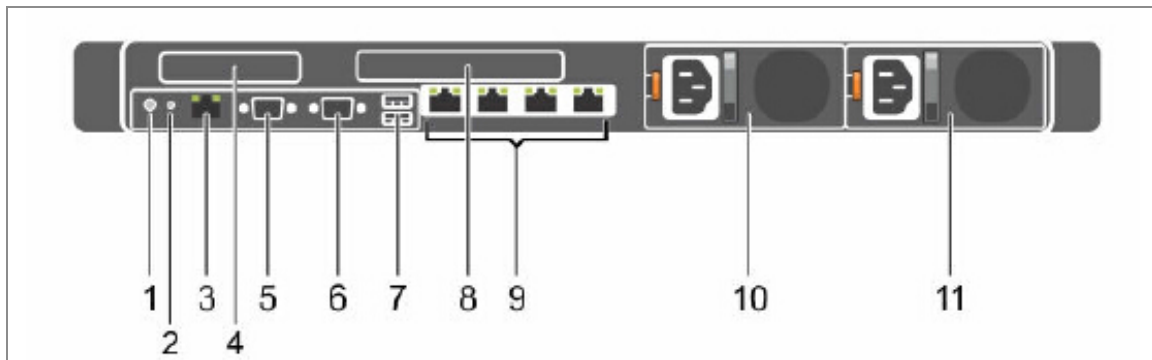
LX1025R2 Front Panel



item	Indicator, Button, or Connector
1	Power-on indicator, power button
2	NMI button
3	System identification button

item	Indicator, Button, or Connector
4	USB connectors (2)
5	Optical drive (optional)
6	vFlash media card slot
7	LCD menu buttons
8	LCD panel
9	Information tag
10	Video connector
11	Disk drives (8)

LX1025R2 Rear Panel



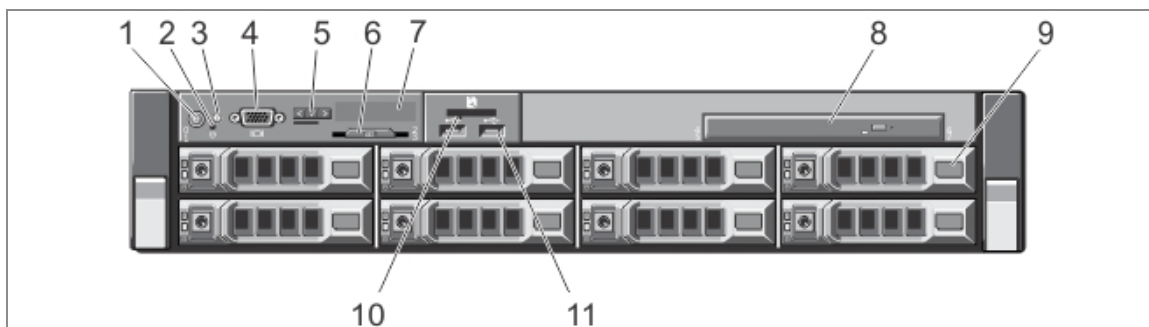
item	Indicator, Button, or Connector
1	System identification button
2	System identification connector
3	iDRAC8 Enterprise port

item	Indicator, Button, or Connector
4	PCIe expansion card slot (riser 1)
5	Serial connector
6	Video connector
7	USB connectors (2)
8	Ethernet connectors (2)
9	Ethernet connectors (4)
10, 11	Power supply

LX4025R2 Appliance

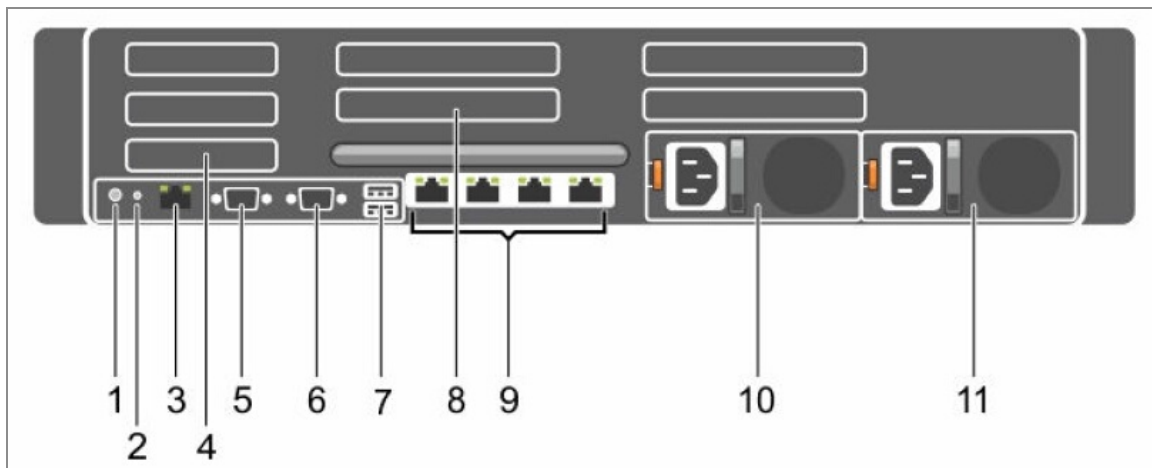
This section illustrates the front and rear panels of the LX4025R2 appliance.

LX4025R2 Front Panel



Item	Indicator, Button, or Connector
1	Power-on indicator, power button
2	NMI button
3	System identification button
4	Video connector
5	LCD menu buttons
6	Information tag
7	LCD panel
8	Optical drive (optional)
9	Disk drives
10	vFlash media card slot
11	USB connectors (2)

LX4025R2 Rear Panel



Item	Indicator, Button, or Connector
1	System identification button
2	System identification connector
3	iDRAC8 Enterprise port
4	Half-height PCIe expansion card slots (3)
5	Serial connector
6	Video connector
7	USB connector (2)
8	Ethernet connectors (2)
9	Ethernet connectors (4)
10, 11	Power supply

TIBCO LogLogic® LX R1 Appliance Product Family

This section describes the LX R1 series of H4 appliances.

The LogLogic® LX R1 Appliance product family includes the following appliances:

- [LogLogic® LX1025R1 Appliance](#)
- [LX4025R1 Appliance](#)

LogLogic LX R1 Appliance Product Family Specifications

Hardware Specifications	LX1025R1	LX4025R1
CPU	Single Xeon E5	Dual Xeon E5
Memory	8GB	32 GB

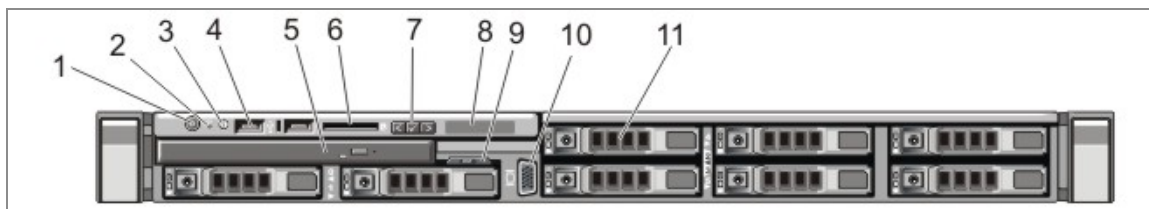
Hardware Specifications	LX1025R1	LX4025R1
Disk Drive (HDD)	2 x 1 TB	8 x 4 TB
RAID (HDD)	RAID 1	RAID 10
Disk Drive (SSD)	N/A	8 x 800 GB
RAID (SSD)	N/A	RAID 6
AC Power Connections	2 (for redundancy)	2 (for redundancy)
AC Input	100-240 V 50-60 Hz	100-240 V 50-60 Hz
Power Consumption	495 W	750 W
Heat Dissipation	1908 BTU/hr (max per power supply)	2891 BTU/hr (max per power supply)
AC Current	6A (max)	10A (max)
Operating Altitude	-50 ft to 10,000 ft-15.2 m to 3048 m	-50 ft to 10,000 ft-15.2 m to 3048 m
Operating Temperature	10-35 degrees C (De-rate maximum allowable temperature by 1 degree C per 300 meters above sea level)	
Relative Humidity	10-80%	10-80%
19" Rack Mount Chassis	1U	2U
Chassis Mounting	Rail Kit is provided. For instructions, see Installing the System in a Rack .	
Chassis (L x W x H)	27.58 x 18.99 x 1.68 inches	29.75 x 18.98 x 3.44 inches
Weight	33.1 lbs	63.65 lbs

Hardware Specifications	LX1025R1	LX4025R1
Ethernet	6x10/100/1000	6x10/100/1000
Bonding Port Labeling	Bond 0–Eth0 & Eth1; Bond 1–Eth2 & Eth3; Bond 2–Eth4 & Eth5;	Bond 0–Eth0 & Eth1; Bond 1–Eth2 & Eth3; Bond 2–Eth4 & Eth5;
Console Connector (male) (null modem cable provided)	9-pin DTE	9-pin DTE

LogLogic® LX1025R1 Appliance

This section illustrates the front and rear panels of the LX1025R1 appliance.

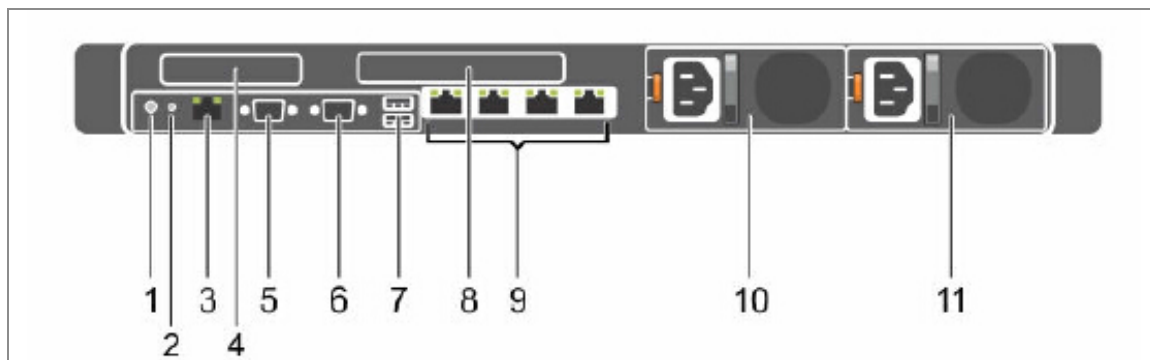
LX1025R1 Front Panel



Item	Indicator, Button, or Connection
1	Power-on indicator, power button
2	NMI button
3	System identification button

Item	Indicator, Button, or Connection
4	USB connectors (2)
5	Optical drive (optional)
6	vFlash media card slot
7	LCD menu buttons
8	LCD panel
9	Information tag
10	Video connector
11	Disk drives (8)

LX1025R1 Rear Panel



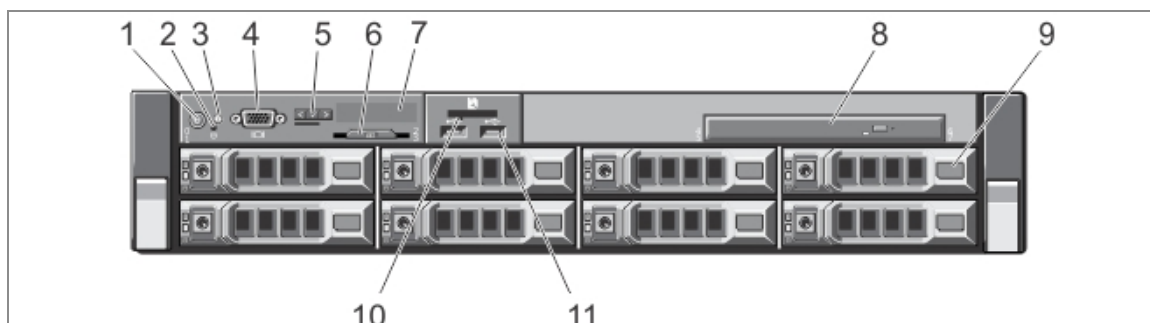
item	Indicator, Button, or Connector
1	System identification button
2	System identification connector
3	iDRAC8 Enterprise port

item	Indicator, Button, or Connector
4	PCIe expansion card slot (riser 1)
5	Serial connector
6	Video connector
7	USB connectors (2)
8	Ethernet connectors (2)
9	Ethernet connectors (4)
10, 11	Power supply

LX4025R1 Appliance

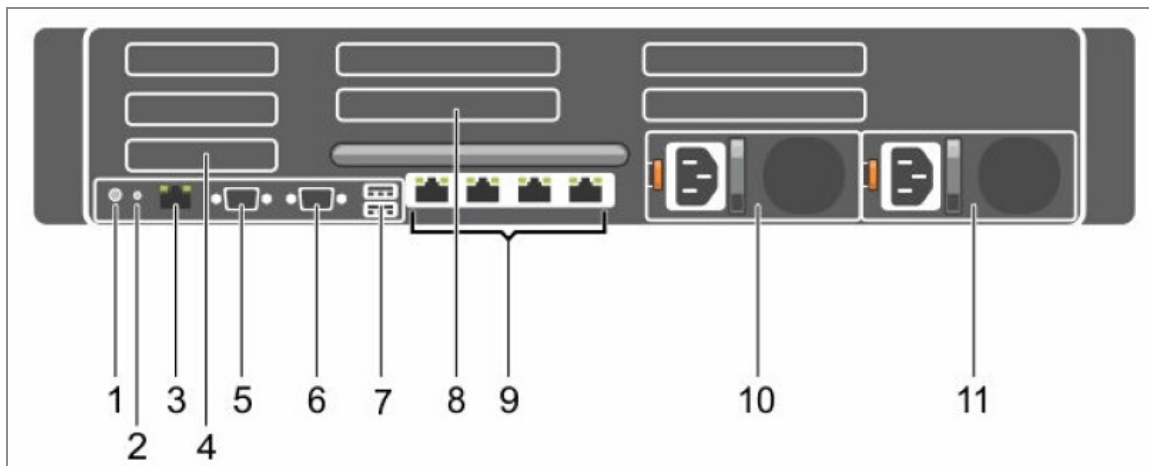
This section illustrates the front and rear panels of the LX4025R1 appliance.

LX4025R1 Front Panel



LX4025R1 Front Panel

Item	Indicator, Button, or Connector
1	Power-on indicator, power button
2	NMI button
3	System identification button
4	Video connector
5	LCD menu buttons
6	Information tag
7	LCD panel
8	Optical drive (optional)
9	Disk drives
10	vFlash media card slot
11	USB connectors (2)

LX4025R1 Rear Panel

Item	Indicator, Button, or Connector
1	System identification button
2	System identification connector
3	iDRAC8 Enterprise port
4	Half-height PCIe expansion card slots (3)
5	Serial connector
6	Video connector
7	USB connector (2)
8	Ethernet connectors (2)
9	Ethernet connectors (4)
10, 11	Power supply

TIBCO LogLogic® ST R2 Appliance Product Family

This section describes the ST R2 series of H4 appliances.

The LogLogic® ST R2 Appliance product family includes the following appliances:

- [ST2025-SANR2 Appliance](#)
- [ST4025R2 Appliance](#)

LogLogic ST R2 Appliance Product Family Specifications

Hardware Specifications	ST2025-SANR2	ST4025R2
CPU	Dual Xeon E5 (28 cores)	Dual Xeon E5 (28 cores)
Memory	256 GB	256 GB

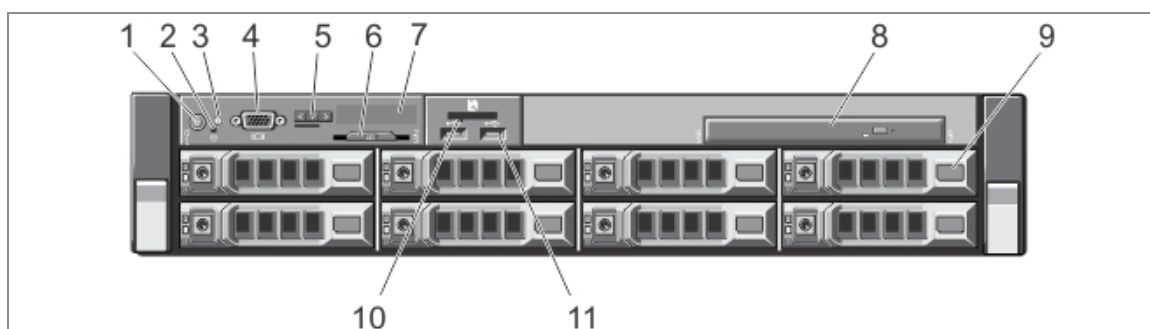
Hardware Specifications	ST2025-SANR2	ST4025R2
Disk Drive (HDD)	8 x 1 TB	8 x 4 TB
RAID (HDD)	RAID 6	RAID 10
Disk Drive (SSD)	8 x 800 GB	8 x 800 GB
RAID (SSD)	RAID 6	RAID 6
Fibre Channel Adapters	Dual Port, with small form-factor pluggable (SFP) 8Gb Optical Fibre Channel HBA x 1 (QLogic 2562)	N/A
AC Power Connections	2 (for redundancy)	2 (for redundancy)
AC Input	10A	10A
Power Consumption	750 W	750 W
Heat Dissipation	2891 BTU/hr (max per power supply)	2891 BTU/hr (max per power supply)
AC Current	6.5A (max)	6.5A (max)
Operating Altitude	-50 ft to 10,000 ft -15.2 m to 3048 m	-50 ft to 10,000 ft -15.2 m to 3048 m
Operating Temperature	10-35 degrees C (De-rate maximum allowable temperature by 1 degree C per 300 meters above sea level)	
Relative Humidity	10-80%	10-80%
19" Rack Mount Chassis	2U	2U
Chassis Mounting	Rail Kit is provided. For instructions, see Installing the System in a Rack .	

Hardware Specifications	ST2025-SANR2	ST4025R2
Chassis (W x H x D)	29.75 x 18.98 x 3.44 inches	29.75 x 18.98 x 3.44 inches
Weight	34.1 lbs	34.1 lbs
Ethernet	6x10/100/1000	6x10/100/1000
Bonding Port Labeling	Bond 0–Eth0 & Eth1; Bond 1–Eth2 & Eth3; Bond 2–Eth4 & Eth5;	Bond 0–Eth0 & Eth1; Bond 1–Eth2 & Eth3; Bond 2–Eth4 & Eth5;
Console Connector (male) (null modem cable provided)	9-pin DTE	9-pin DTE

ST2025-SANR2 Appliance

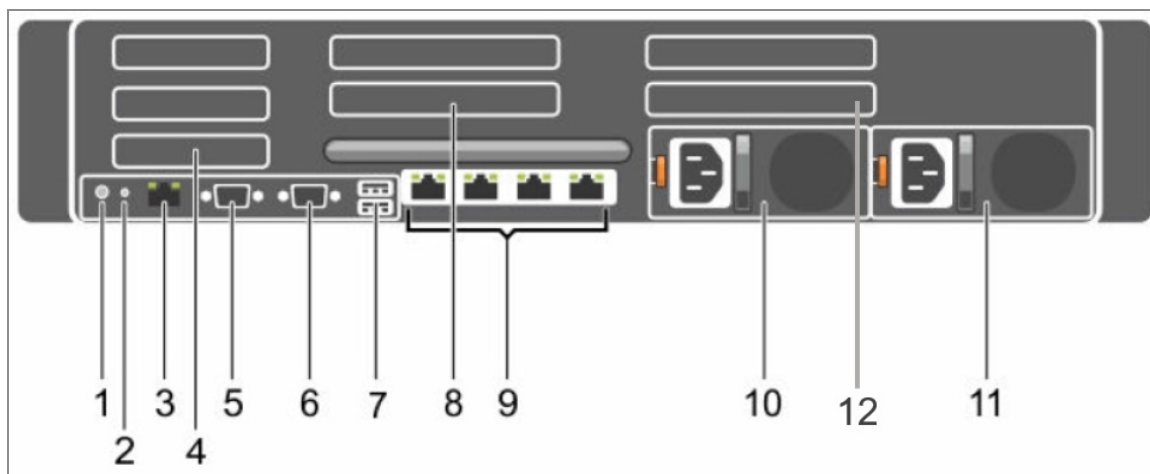
This section illustrates the front and rear panels of the ST2025-SANR2 appliance.

ST2025-SANR2 Front Panel



Item	Indicator, Button, or Connector
1	Power-on indicator, power button
2	NMI button
3	System identification button
4	Video connector
5	LCD menu buttons
6	Information tag
7	LCD panel
8	Optical drive (optional)
9	Disk drives
10	Flash media card slot
11	USB connectors (2)

ST2025-SANR2 Rear Panel

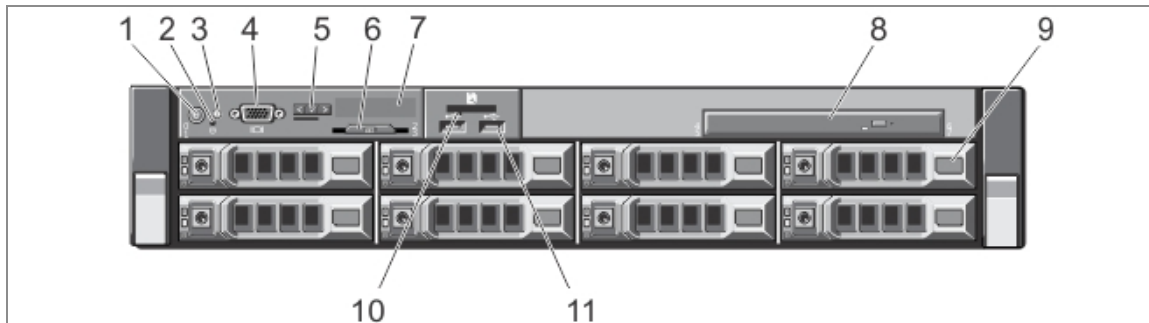


Item	Indicator, Button, or Connector
1	System identification button
2	System identification connector
3	iDRAC8 Enterprise port
4	Half-height PCIe expansion card slots (3)
5	Serial connector
6	Video connector
7	USB connector (2)
8	SAN/ Fibre channel ports (2)
9	Ethernet connectors (4)
10, 11	Power supply
12	Ethernet connectors (2)

ST4025R2 Appliance

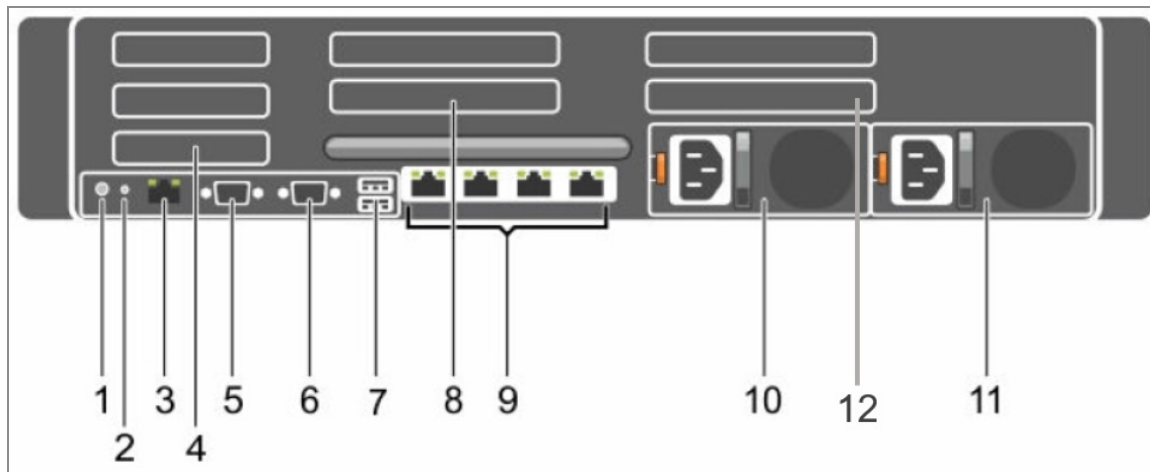
This section illustrates the front and rear panels of the ST4025R2 appliance.

ST4025R2 Front Panel



item	Indicator, Button, or Connector
1	Power-on indicator, power button
2	NMI button
3	System identification button
4	Video connector
5	LCD menu buttons
6	Information tag
7	LCD panel
8	Optical drive (optional)
9	Disk drives
10	vFlash media card slot
11	USB connectors (2)

ST4025R2 Rear Panel



item	Indicator, Button, or Connector
1	System identification button
2	System identification connector
3	iDRAC8 Enterprise port
4	Half-height PCIe expansion card slot (3)
5	Serial connector
6	Video connector
7	USB connector (2)
8	Ethernet connectors (2)
9	Ethernet connectors (4)
10, 11	Power supply
12	Full-height PCIe expansion card slot (4)

TIBCO LogLogic® ST R1 Appliance Product Family

This section describes the ST R1 series of H4 appliances.

The LogLogic® ST R1 Appliance product family includes the following appliances:

- [ST2025-SANR1 Appliance](#)
- [ST4025R1 Appliance](#)

LogLogic ST R1 Appliance Product Family Specifications

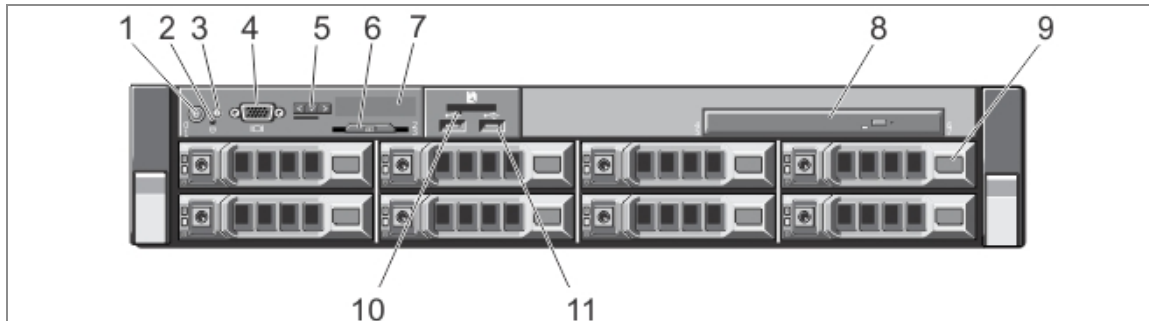
Hardware Specifications	ST2025-SANR1	ST4025R1
CPU	Dual Xeon E5	Dual Xeon E5
Memory	32 GB	32 GB
Disk Drive (HDD)	8 x 1 TB	8 x 4 TB
RAID (HDD)	RAID 6	RAID 10
Disk Drive (SSD)	8 x 800 GB	8 x 800 GB
RAID (SSD)	RAID 6	RAID 6
Fibre Channel Adapters	Dual Port, with small form-factor pluggable (SFP) 8Gb Optical Fibre Channel HBA x 1 (QLogic 2562)	N/A
AC Power Connections	2 (for redundancy)	2 (for redundancy)
AC Input	100-240 V 50-60 Hz	100-240 V 50-60 Hz
Power Consumption	750 W	750 W
Heat Dissipation	2891 BTU/hr (max per power supply)	2891 BTU/hr (max per power supply)

Hardware Specifications	ST2025-SANR1	ST4025R1
AC Current	6.5A (max)	6.5A (max)
Operating Altitude	-50 ft to 10,000 ft -15.2 m to 3048 m	-50 ft to 10,000 ft -15.2 m to 3048 m
Operating Temperature	10-35 degrees C (De-rate maximum allowable temperature by 1 degree C per 300 meters above sea level)	
Relative Humidity	10-80%	10-80%
19" Rack Mount Chassis	2U	2U
Chassis Mounting	Rail Kit is provided. For instructions, see Installing the System in a Rack .	
Chassis (W x H x D)	29.75 x 18.98 x 3.44 inches	29.75 x 18.98 x 3.44 inches
Weight	34.1 lbs	34.1 lbs
Ethernet	6x10/100/1000	6x10/100/1000
Bonding Port Labeling	Bond 0–Eth0 & Eth1; Bond 1–Eth2 & Eth3; Bond 2–Eth4 & Eth5;	Bond 0–Eth0 & Eth1; Bond 1–Eth2 & Eth3; Bond 2–Eth4 & Eth5;
Console Connector (male) (null modem cable provided)	9-pin DTE	9-pin DTE

ST2025-SANR1 Appliance

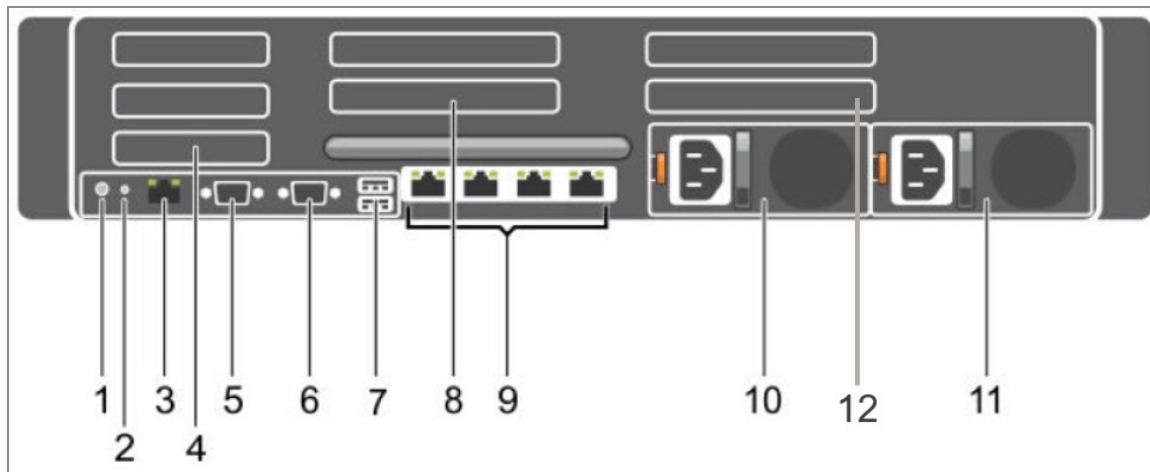
This section illustrates the front and rear panels of the ST2025-SANR1 appliance.

ST2025-SANR1 Front Panel



Item	Indicator, Button, or Connector
1	Power-on indicator, power button
2	NMI button
3	System identification button
4	Video connector
5	LCD menu buttons
6	Information tag
7	LCD panel
8	Optical drive (optional)
9	Disk drives
10	vFlash media card slot
11	USB connectors (2)

ST2025-SANR1 Rear Panel

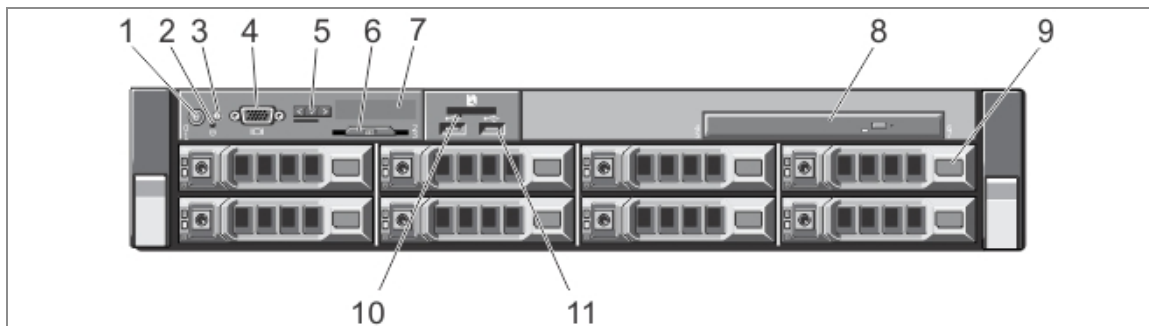


Item	Indicator, Button, or Connector
1	System identification button
2	System identification connector
3	iDRAC8 Enterprise port
4	Half-height PCIe expansion card slots (3)
5	Serial connector
6	Video connector
7	USB connector (2)
8	SAN/Fibre channel ports (2)
9	Ethernet connectors (4)
10, 11	Power supply
12	Ethernet connectors (2)

ST4025R1 Appliance

This section illustrates the front and rear panels of the ST4025R1 appliance.

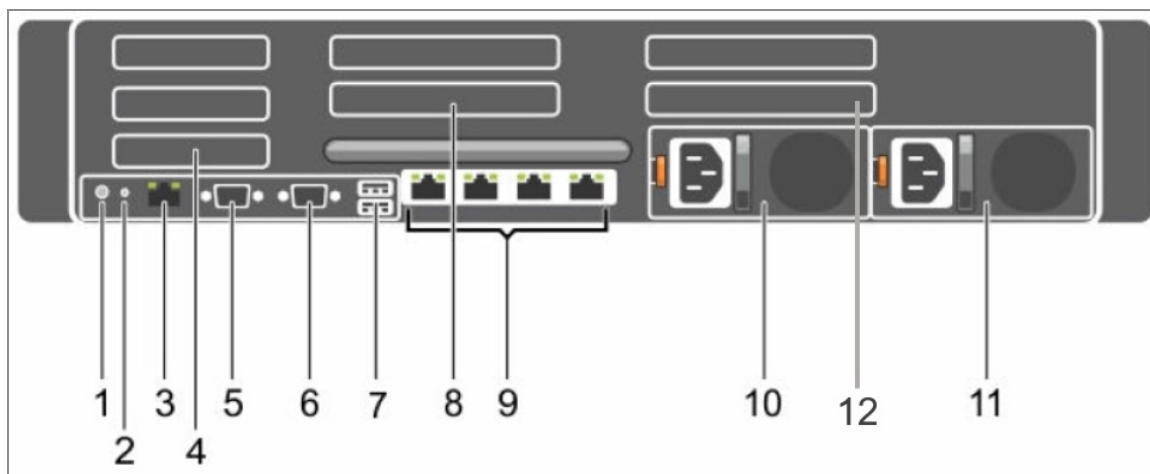
ST4025R1 Front Panel



Item	Indicator, Button, or Connector
1	Power-on indicator, power button
2	NMI button
3	System identification button
4	Video connector
5	LCD menu buttons
6	Information tag
7	LCD panel

Item	Indicator, Button, or Connector
8	Optical drive (optional)
9	Disk drives
10	vFlash media card slot
11	USB connectors (2)

ST4025R1 Rear Panel



item	Indicator, Button, or Connector
1	System identification button
2	System identification connector
3	iDRAC8 Enterprise port
4	Half-height PCIe expansion card slot (3)
5	Serial connector

item	Indicator, Button, or Connector
6	Video connector
7	USB connector (2)
8	Ethernet connectors (2)
9	Ethernet connectors (4)
10, 11	Power supply
12	Full-height PCIe expansion card slot (4)

TIBCO Documentation and Support Services

For information about this product, you can read the documentation, contact TIBCO Support, and join TIBCO Community.

How to Access TIBCO Documentation

Documentation for TIBCO products is available on the [TIBCO Product Documentation](#) website, mainly in HTML and PDF formats.

The [TIBCO Product Documentation](#) website is updated frequently and is more current than any other documentation included with the product.

Product-Specific Documentation

The following documentation for this product is available on the [TIBCO LogLogic® Log Management Intelligence Product Documentation](#) page.

- *TIBCO LogLogic® Log Management Intelligence Release Notes*
- *TIBCO LogLogic® Log Management Intelligence Administration*
- *TIBCO LogLogic® Log Management Intelligence Configuration and Upgrade*
- *TIBCO LogLogic® Log Management Intelligence Hardware Installation Guide*
- *TIBCO LogLogic® Log Management Intelligence Log Source Report Mapping*
- *TIBCO LogLogic® Log Management Intelligence Security Guidelines*
- *TIBCO LogLogic® Log Management Intelligence SSD Hardware Field Installation*
- *TIBCO LogLogic® Log Management Intelligence Syslog Alert Message Format Quick Reference*
- *TIBCO LogLogic® Log Management Intelligence User Guide*
- *TIBCO LogLogic® Log Management Intelligence XML Import/Export Entities Reference*
- *TIBCO LogLogic® Enterprise Virtual Appliance Quick Start*

Other TIBCO Product Documentation

The following documents for TIBCO LogLogic® Log Source Packages are available on the [TIBCO eDelivery website](#) or [TIBCO Support website](#) after logging in.

- *TIBCO LogLogic® Log Source Packages Release Notes*
- *TIBCO LogLogic® Log Source Packages Installation and Upgrade*
- *TIBCO LogLogic® Log Source Packages Log Configuration Guides*
- *TIBCO LogLogic® Log Source Packages Log Collector Guides*

How to Contact TIBCO Support

Get an overview of [TIBCO Support](#). You can contact TIBCO Support in the following ways:

- For accessing the Support Knowledge Base and getting personalized content about products you are interested in, visit the [TIBCO Support](#) website.
- For creating a Support case, you must have a valid maintenance or support contract with TIBCO. You also need a user name and password to log in to [TIBCO Support](#) website. If you do not have a user name, you can request one by clicking **Register** on the website.

How to Join TIBCO Community

TIBCO Community is the official channel for TIBCO customers, partners, and employee subject matter experts to share and access their collective experience. TIBCO Community offers access to Q&A forums, product wikis, and best practices. It also offers access to extensions, adapters, solution accelerators, and tools that extend and enable customers to gain full value from TIBCO products. In addition, users can submit and vote on feature requests from within the [TIBCO Ideas Portal](#). For a free registration, go to [TIBCO Community](#).

Legal and Third-Party Notices

SOME TIBCO SOFTWARE EMBEDS OR BUNDLES OTHER TIBCO SOFTWARE. USE OF SUCH EMBEDDED OR BUNDLED TIBCO SOFTWARE IS SOLELY TO ENABLE THE FUNCTIONALITY (OR PROVIDE LIMITED ADD-ON FUNCTIONALITY) OF THE LICENSED TIBCO SOFTWARE. THE EMBEDDED OR BUNDLED SOFTWARE IS NOT LICENSED TO BE USED OR ACCESSED BY ANY OTHER TIBCO SOFTWARE OR FOR ANY OTHER PURPOSE.

USE OF TIBCO SOFTWARE AND THIS DOCUMENT IS SUBJECT TO THE TERMS AND CONDITIONS OF A LICENSE AGREEMENT FOUND IN EITHER A SEPARATELY EXECUTED SOFTWARE LICENSE AGREEMENT, OR, IF THERE IS NO SUCH SEPARATE AGREEMENT, THE CLICKWRAP END USER LICENSE AGREEMENT WHICH IS DISPLAYED DURING DOWNLOAD OR INSTALLATION OF THE SOFTWARE (AND WHICH IS DUPLICATED IN THE LICENSE FILE) OR IF THERE IS NO SUCH SOFTWARE LICENSE AGREEMENT OR CLICKWRAP END USER LICENSE AGREEMENT, THE LICENSE(S) LOCATED IN THE “LICENSE” FILE(S) OF THE SOFTWARE. USE OF THIS DOCUMENT IS SUBJECT TO THOSE TERMS AND CONDITIONS, AND YOUR USE HEREOF SHALL CONSTITUTE ACCEPTANCE OF AND AN AGREEMENT TO BE BOUND BY THE SAME.

This document is subject to U.S. and international copyright laws and treaties. No part of this document may be reproduced in any form without the written authorization of TIBCO Software Inc.

TIBCO, the TIBCO logo, the TIBCO O logo, and LogLogic are either registered trademarks or trademarks of TIBCO Software Inc. in the United States and/or other countries.

All other product and company names and marks mentioned in this document are the property of their respective owners and are mentioned for identification purposes only.

This software may be available on multiple operating systems. However, not all operating system platforms for a specific software version are released at the same time. See the readme file for the availability of this software version on a specific operating system platform.

THIS DOCUMENT IS PROVIDED “AS IS” WITHOUT WARRANTY OF ANY KIND, EITHER EXPRESS OR IMPLIED, INCLUDING, BUT NOT LIMITED TO, THE IMPLIED WARRANTIES OF MERCHANTABILITY, FITNESS FOR A PARTICULAR PURPOSE, OR NON-INFRINGEMENT.

THIS DOCUMENT COULD INCLUDE TECHNICAL INACCURACIES OR TYPOGRAPHICAL ERRORS. CHANGES ARE PERIODICALLY ADDED TO THE INFORMATION HEREIN; THESE CHANGES WILL BE INCORPORATED IN NEW EDITIONS OF THIS DOCUMENT. TIBCO SOFTWARE INC. MAY MAKE IMPROVEMENTS AND/OR CHANGES IN THE PRODUCT(S) AND/OR THE PROGRAM(S) DESCRIBED IN THIS DOCUMENT AT ANY TIME.

THE CONTENTS OF THIS DOCUMENT MAY BE MODIFIED AND/OR QUALIFIED, DIRECTLY OR INDIRECTLY, BY OTHER DOCUMENTATION WHICH ACCOMPANIES THIS SOFTWARE, INCLUDING BUT NOT LIMITED TO ANY RELEASE NOTES AND "READ ME" FILES.

This and other products of TIBCO Software Inc. may be covered by registered patents. Please refer to TIBCO's Virtual Patent Marking document (<https://www.tibco.com/patents>) for details.

Copyright © 2002-2022. TIBCO Software Inc. All Rights Reserved.